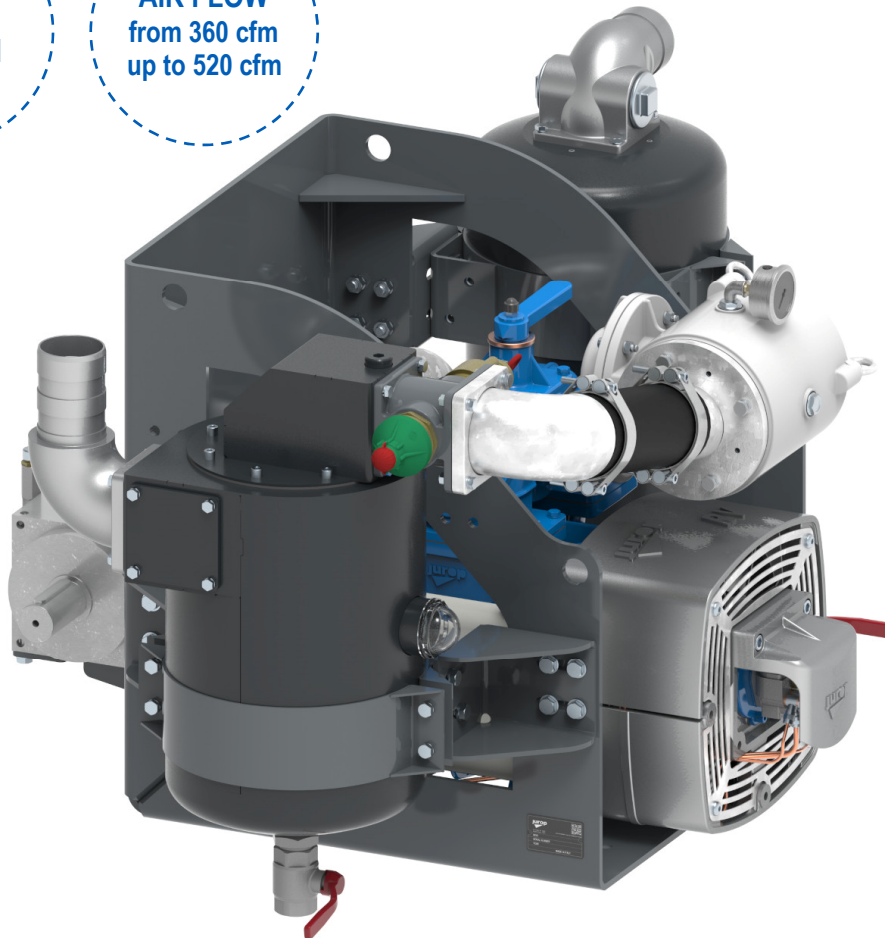


EN

RV 360-520 SYSTEM

INPUT
1300 RPM

AIR FLOW
from 360 cfm
up to 520 cfm



DIRECT
DRIVE - NO
COUPLING

RV SYSTEM

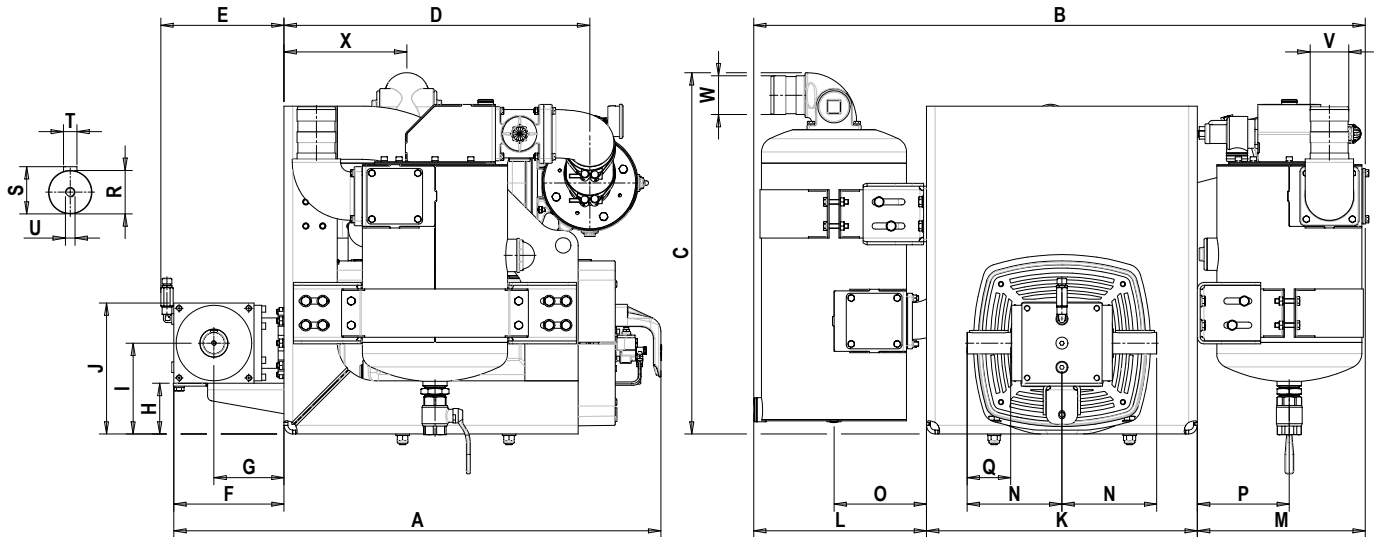
with fan cooled
vacuum / pressure pump



COMPANY WITH
QUALITY SYSTEM
CERTIFIED BY DNV
ISO 9001

COMPANY WITH
ENVIRONMENTAL SYSTEM
CERTIFIED BY DNV
ISO 14001

COMPANY WITH
QUALITY SYSTEM
CERTIFIED BY DNV
ISO 3834-2



		A	B	C	D	E	F	G	H	I	J	K	L
RV 360 SYSTEM	in	39.6	49.8	29.4	24.9	10	9	5.7	4.1	7.4	10.7	22	14
	mm	1007	1264	747	632	255	228	145	105	188	271	560	357
RV 520 SYSTEM	in	44.2	50.7	28.4	24.9	13.5	12.4	9.1	4.1	7.4	10.7	22	15
	mm	1123.5	1289	723	632	342.5	316	233	105	188	271	560	382

		M	N	O	P	Q	R	S	T	U	V	W	X
RV 360 SYSTEM	in	13.7	7.7	7.5	7.5	3.5	Ø 1.8	1.9	0.6	0.4	Ø 3.1	Ø 3.1	10
	mm	347	196	191	190	90	Ø 45	48.8	14	M10	Ø 80	Ø 80	254
RV 520 SYSTEM	in	13.7	7.7	8.5	7.5	3.5	Ø 1.8	1.9	0.6	0.4	Ø 3.1	Ø 3.1	9.4
	mm	347	196	216	190	90	Ø 45	48.8	14	M10	Ø 80	Ø 80	238.5

PERFORMANCES	RV 360 SYSTEM		RV 520 SYSTEM	
ROTATION SPEED	1300 rpm		1300 rpm	
AIR FLOW UNDER FREE AIR CONDITION	360 cfm	10200 l/min	520 cfm	14700 l/min
MAX. VACUUM	28,5 Hg	95 %	28,5 Hg	95 %
MAX. RELATIVE PRESSURE	15 psig	1 bar	15 psig	1 bar
POWER REQUIRED AT FREE PORT	19 HP	14 kW	25,5 HP	19 kW
POWER REQUIRED AT MAX. VACUUM	15 HP	11 kW	21,5 HP	16 kW
POWER REQUIRED AT 1.0 RELATIVE BAR	29,5 HP	22 kW	40,2 HP	30 kW
WEIGHT	787 lb	357 kg	915 lb	415 kg
WEIGHT WITHOUT CYCLONE	705 lb	320 kg	838 lb	380 kg

