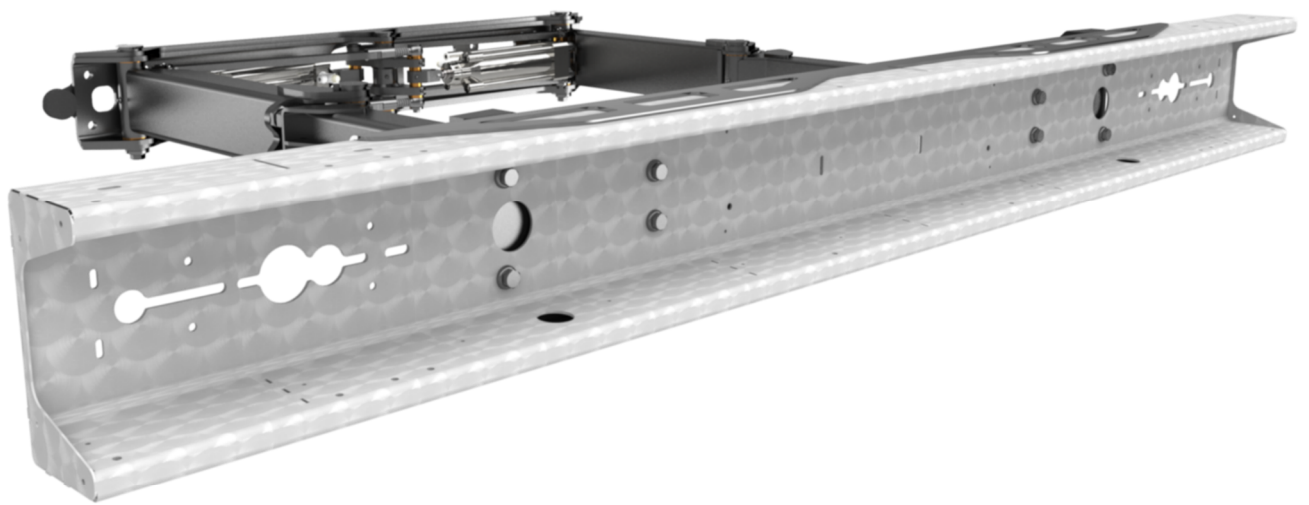


EN

RETRACTABLE UNDERRUN DEVICE



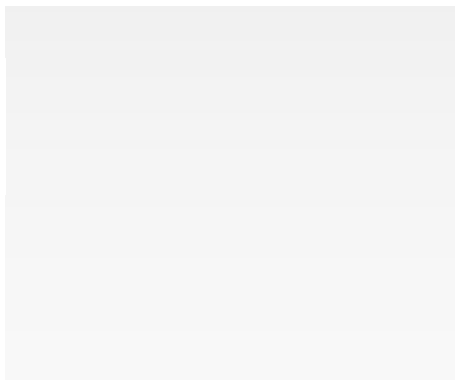
APPROVED



58R-03

ACCESSORIES AND COMPONENTS

Underrun protection device



COMPANY WITH
QUALITY SYSTEM
CERTIFIED BY DNV
ISO 9001

COMPANY WITH
ENVIRONMENTAL SYSTEM
CERTIFIED BY DNV
ISO 14001

COMPANY WITH
QUALITY SYSTEM
CERTIFIED BY DNV
ISO 3834-2

TECHNICAL DATA

The extendable underrun protection device consists of a pair of transverse bars joined together by a pair of mobile scissor-shaped arms.

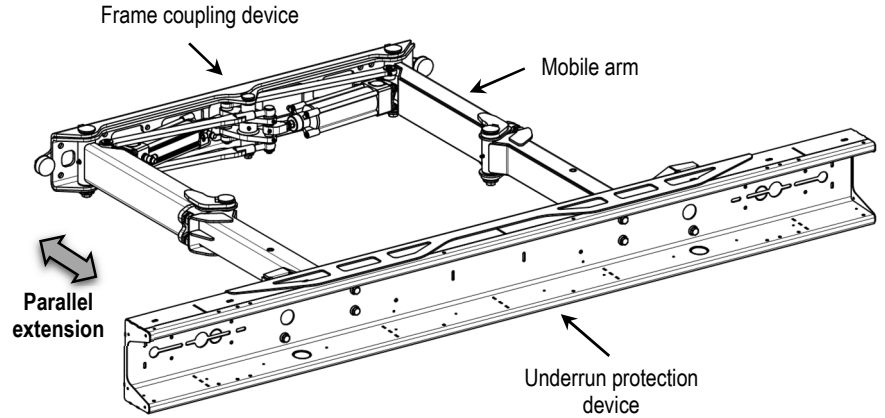
The extendable underrun protection device is designed to be installed on the rear side of trucks. The device is **approved in accordance with the provisions of Regulation UNECE 58**. The presence of the mobile arms, actuated by a couple pneumatic cylinders, allows the rear device to be folded inside the vehicle frame, facilitating the operations/manoeuvres that do not relate to road circulation.

The lever system ensures **parallel movement of the rear underrun protection cross member**.

During road circulation (therefore, with the device extended), the underrun protection device is designed to prevent vehicles (e. g. vehicles and motorcycles) may be jammed under the truck in a collision.

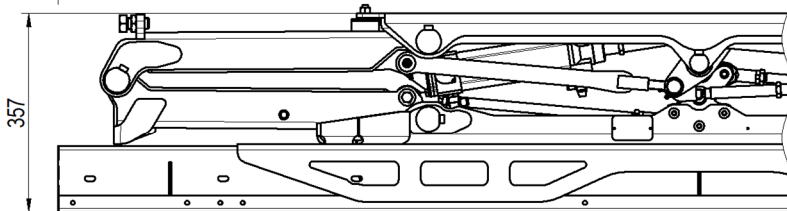
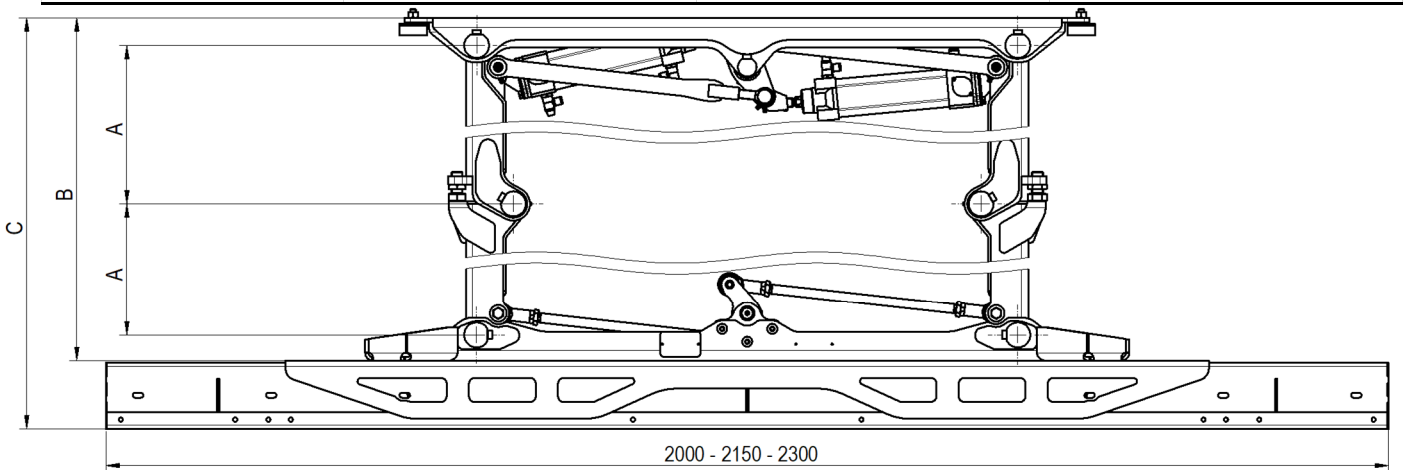
This protection device is built with a heavy-duty structure. The "pantograph" mobile arms are made of **Carbon steel S355J2 EN10025-2**, and are available in someone versions. The rear device is available in the **Stainless steel 304L 1.4307 EN 10088** and is available in three versions.

Approval number E3 58R – 032033.

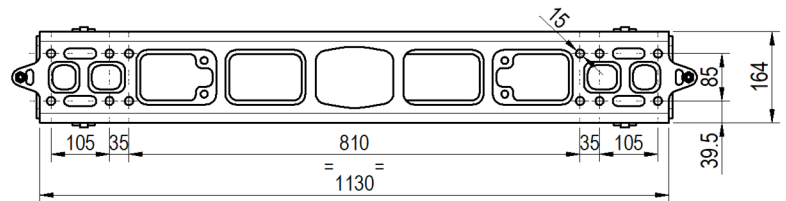
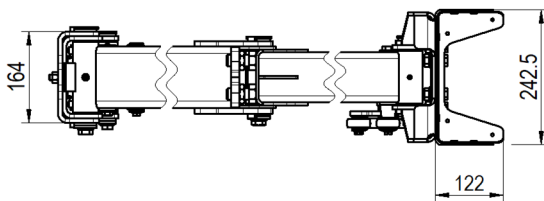


Available versions

Device width [mm]	Short pantograph	Medium pantograph	Long pantograph
2000 (Inox)	Cod. 18130133E0	Cod. 18130130E0	Cod. 18130127E0
2150 (Inox)	Cod. 18130132E0	Cod. 18130129E0	Cod. 18130126E0
2300 (Inox)	Cod. 18130131E0	Cod. 18130128E0	Cod. 18130125E0



Models	A (mm)	B (mm)	C (mm)
Short pantograph	360	816	938
Medium pantograph	460	1016	1138
Long pantograph	560	1216	1338



ACCESSORIES

On request are available:

- Platform reinforcement for the operator in charge (cod. 18104 FMF C0);
- Stainless steel supports for reflective panels (support single cod. 16120 347 L0);
- Pair of panels for trucks (cod. 40291 210 00).