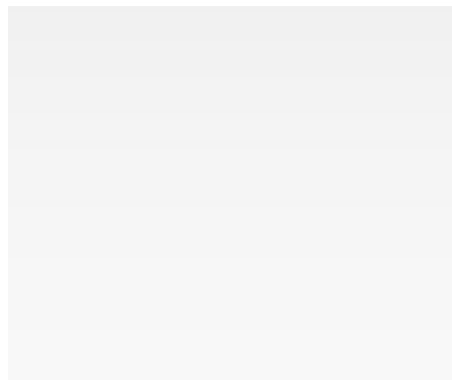


ORIGINAL INSTRUCTIONS



TECHNICAL DATA SHEET

CODE 14450 026 E0



1. General warnings

- This technical data sheet contains technical information concerning cyclone secondary shutoff suitable for decompressors of the DL series and the main installation and maintenance instructions.
- Complying with the instructions contained in this technical data sheet is crucial for the recognition of warranty against defective parts. Upon receiving the goods, ensure that they are intact and have not been accidentally damaged during transport. In the event parts of the accessory must be replaced, **use only genuine spare parts**.

2. Technical data

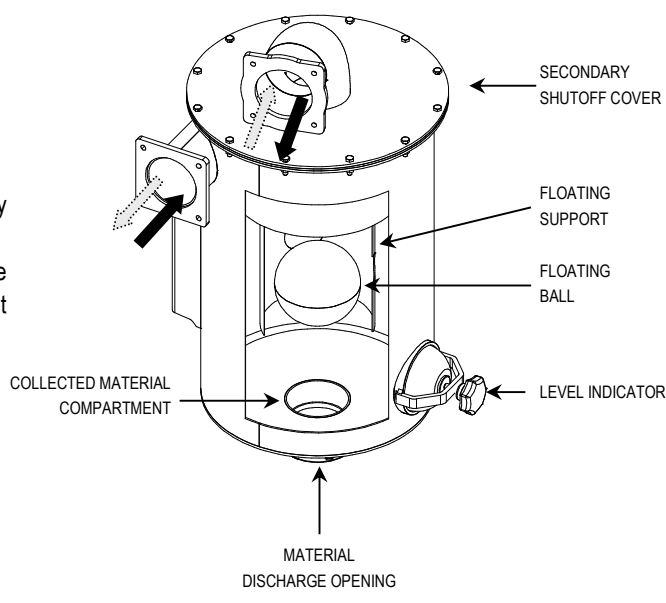
• The DL cyclone secondary shutoff is designed to be installed in correspondence with the intake line of decompressors used to create vacuum inside tanks. The cyclone secondary shutoff prevents foreign bodies (liquids or solids) that could carry over past the primary shutoff from entering inside the decompressor by blocking the intake line with a stainless steel floating ball. The cyclone consists of a vertical cylinder, which tangentially receives the flow to be scrubbed at high speed. As a result of centrifugal force, the various elements contained inside the fluid are separated according to their density. The purified fluid is freed through the upper axial outlet, whereas the material to be recovered is collected in the lower part of the cyclone and discharged after each job.

• The DL cyclone shutoff is available in the following version:

- **DL cyclone shutoff**, made of **Mild steel S235JR** and hot-dip galvanizing.
 code 14450 026 E0
 The internal floating ball is made of stainless steel 316.

• The following figure shows a schematic diagram of a cyclone secondary shutoff, highlighting the main components.

• The DL secondary shutoff are designed to operate in intake (with the decompressor suctioning from the tank) and in compression (decompressor that pump air inside the tank e.g. discharging, the material contained in it) mode.



• The following table shows the main operating parameters concerning maximum flow rate, design pressure and weight of the cyclone secondary shutoff available.

Operating parameters

Parameter	DL cyclone secondary shutoff code 14450 026 E0 (Fe)	
MAXIMUM FLOW RATE	900 ÷ 1800	m ³ /h
DESIGN PRESSURE	-1 / +1 bar	
WEIGHT	52	Kg

4. Maintenance

• Under ordinary use conditions, we recommend discharging the secondary shutoff on a daily basis. In the event of heavy duty conditions (e.g., intake of high and particularly volatile substances), drain every time the level indicator warns that the cyclone secondary shutoff is full. The material is discharged through the valve installed on the lower side.

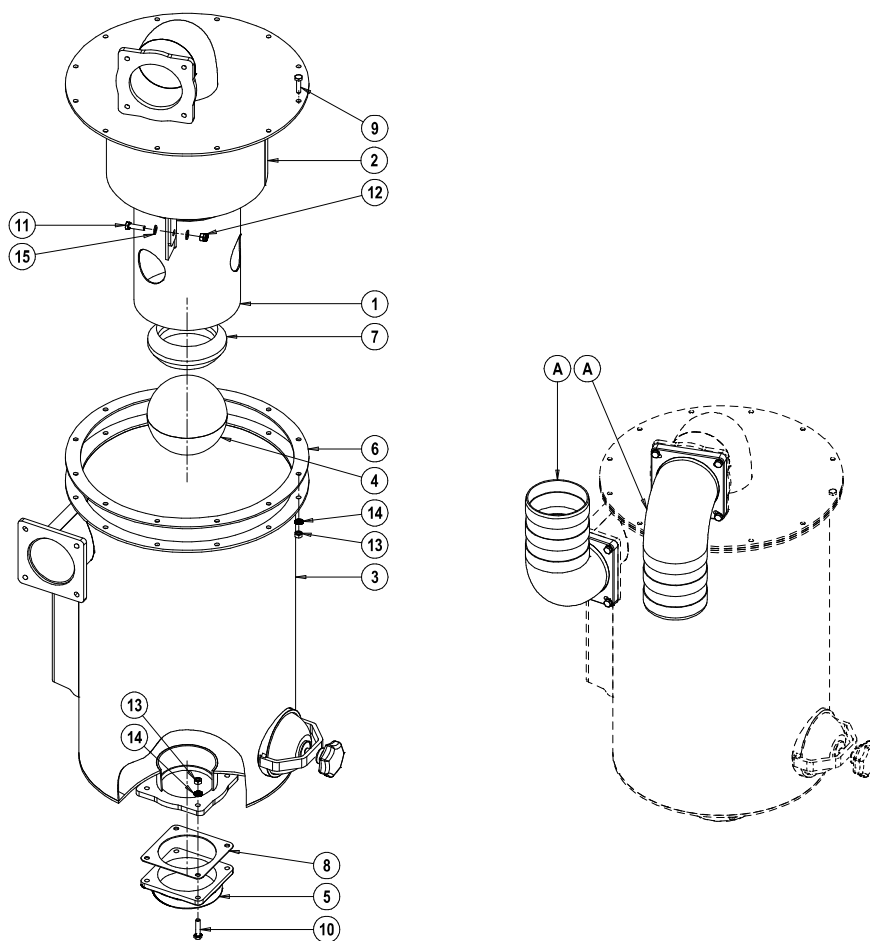
• We recommend verifying the operation of the overflow valve periodically, ensuring that the floating ball can move freely.

• In presence of material drawn in from the tank (e.g. liquids) along the vacuum line, check the integrity and the correct position of the inner double taper seal and of the s/s floating ball. Replace if worn.



Recover the drained material and dispose of it in compliance with the standards in force.

DL CYCLONE SECONDARY SHUTOFF



DL cyclone secondary shutoff (mild steel) – code 14450 026 E0

Pos.	Code	Description	Qty	Pos.	Code	Description	Qty
1	1513003100	FLOATING SUPPORT 200X250 ZINC.	1	10	4026102801	SCREW TE 8.8 M8X35 GALV.	4
2	15400235E0	IRON CYCLONE COVER	1	11	4026150409	SCREW TE M8X30 INOX	2
3	15450040E0	IRON CYCLONE BODY	1	12	4026305404	SELF-LOCKING NUT M8	2
4	1592000200	STAINLESS STEEL FLOATING BALL Ø150	1	13	4026308005	NUT M8 GALV.	16
5	1610515100	4-WAY TAPE FLANGE 4" GAS	1	14	4026350706	GROWER WASHER 8 GALV.	16
6	16800002E0	CYCLONE GASKET	1	15	4026357005	FLAT WASHER M8 GALV.	4
7	1680601800	DOUBLE TAPER SEAL D.115	1				
8	1680609100	GASKET (4-WAY TAPE FLANGE)	1				
9	4026102808	SCREW TE M8X30 ZINC.	12	A	1852104300	CONVEYOR D.120 DL220..300 (optional)	