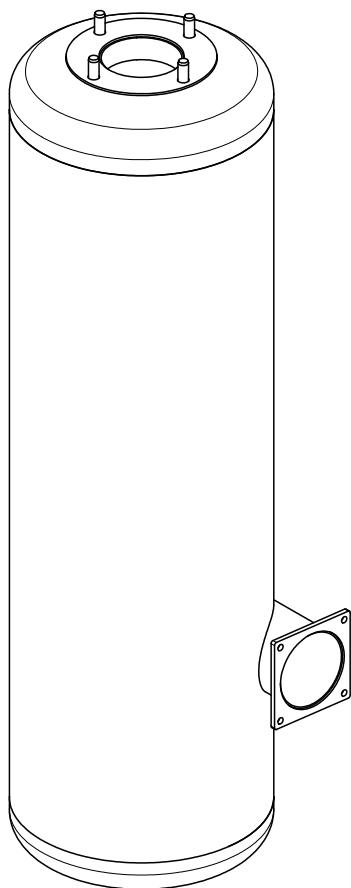
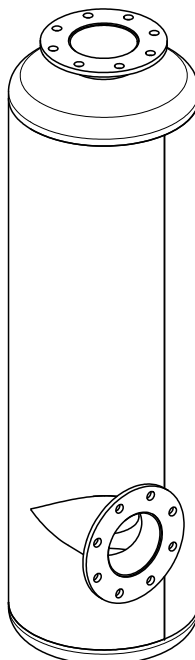
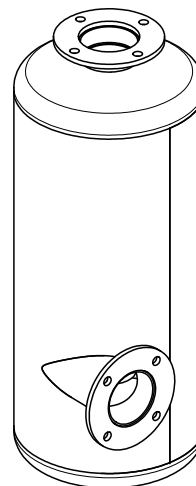


ORIGINAL INSTRUCTIONS

PR530 SILENCER*PR250-330 SILENCER**PR150-200 SILENCER*

TECHNICAL DATA SHEET

CODE 15470 014 00
CODE 15470 017 00
CODE 15470 KY2 B0
CODE 15470 019 00
CODE 15470 020 00
CODE 15470 KWU B0



COMPANY WITH
QUALITY SYSTEM
CERTIFIED BY DNV GL
= ISO 9001 =

1. General warnings

This technical data sheet contains technical information concerning silencers – oil separators suitable for decompressors of the PR series and the main installation and maintenance instructions.

Complying with the instructions contained in this technical data sheet is crucial for the recognition of warranty against defective parts. Upon receiving the goods, ensure that they are intact and have not been accidentally damaged during transport. In the event parts of the accessory must be replaced, **use only genuine spare parts**.

2. Technical data

The PR silencers are designed to be installed in correspondence of the discharge line of vane decompressors (typically of the PR series), used to create vacuum inside tanks.

PR silencers carry out two main functions:

- Attenuate the noise produced by decompressor operation;
- Separate the air that is discharged into the atmosphere and the suspended oil necessary for decompressor lubrication.

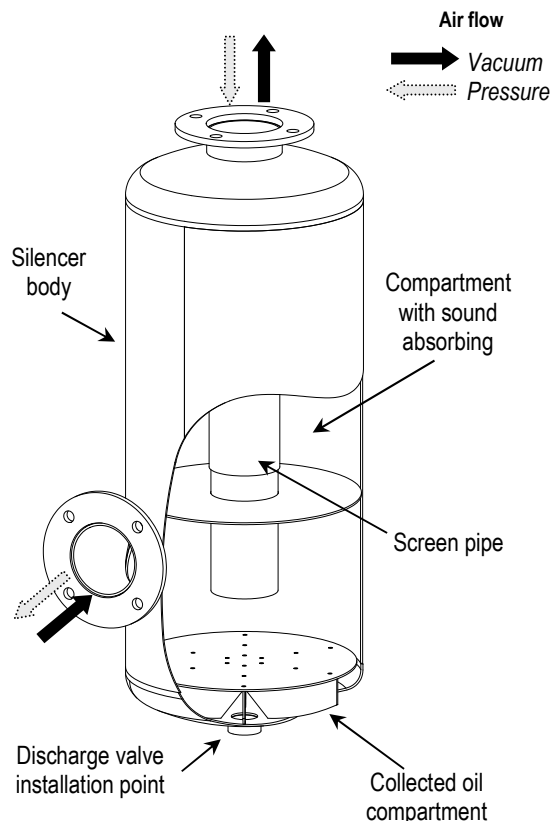
PR silencers are available in various versions:

- **PR150 - 200 silencer** (designed to be coupled to PR150 and PR200 decompressors), made of **painted S235JR mild steel** (code 15470 014 00) and **Stainless Steel AISI 304L** (code 15470 019 00);
- **PR250 - 330 silencer** (designed to be coupled to PR250 and PR330 decompressors), made of **painted S235JR mild steel** (code 15470 017 00) and **Stainless Steel AISI 304L** (code 15470 020 00);
- **PR530 silencer** (designed to be coupled to PR530 decompressors), made of **painted S235JR mild steel** (code 15470 KY2 B0) and **Stainless Steel AISI 304L** (code 15470 KWU B0).

All silencers are equipped with flanges for coupling to inlet and outlet piping. The PR silencers are designed to operate as muffler/exhauster (with the decompressor vacuum pump drawing air from the tank) and in compression (decompressor that pumps air into the tank e.g., discharge the material contained in it) mode.

The following figure shows a schematic diagram of a silencer, highlighting the main components.

The following table shows the main operating parameters concerning maximum flow rate, oil tank capacity, and weight of the silencer.



Operating parameters

Parameter	PR150 – 200 silencer code 15470 014 00 (Iron) - 15470 019 00 (Stainless steel)	PR250 – 330 silencer code 15470 017 00 (Iron) - 15470 020 00 (Stainless steel)	PR530 silencer code 15470 KY2 B0 (Iron) - 15470 KWU B0 (Stainless steel)
MAXIMUM FLOW RATE	1,250 m ³ /h	2,000 m ³ /h	3,200 m ³ /h
OIL TRAP	5 l	5 l	15 l
WEIGHT	48 Kg	64 Kg	145 Kg

3. Installation

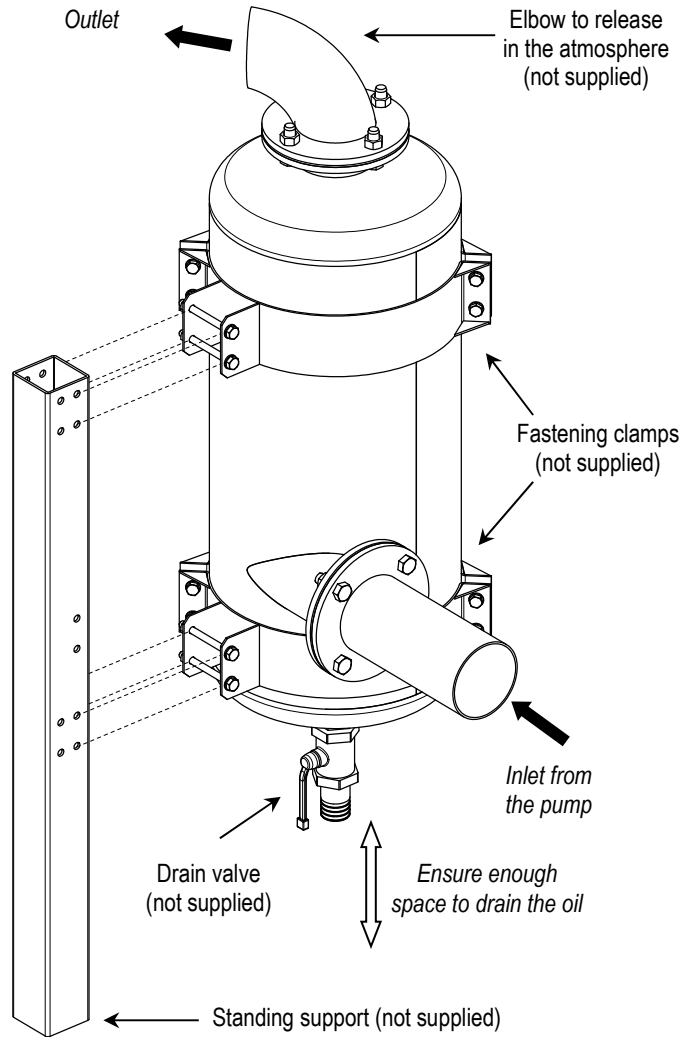
The PR silencer is designed to be installed in correspondence of the discharge line of a vane decompressor.


To ensure the attenuation of the noise produced by the decompressor, we recommend installing the silencer as close as possible to it and minimising the hose section in the end part of the vacuum line.

Its operation as oil separator requires the silencer to be installed in a vertical position.

The following figure shows a schematic diagram of a possible installation of the silencer (the flow refers to operation in intake/vacuum mode). To be installed correctly, the silencer must be supported by two fastening points (e.g. with metal clamps, see spare part data sheet). The silencer requires a valve to be installed at its lower end to allow draining the oil separated from the air released into the atmosphere. We recommend positioning the silencer in order for the discharge area to be accessible.


The silencer is crossed by high temperature air, which can cause its overheating.



 **Attention: place the silencer away from the reach of operators or provide suitable guards.**


We recommend installing a curve on the outlet to prevent rain from entering. The curve must not have an excessive length (we recommend max. 300 mm); otherwise, noise attenuation performance will be affected.

Pay special attention to the vapour intaken by the vacuum pump and emitted through the silencer.

 **Attention: direct the silencer discharge away from the intake duct of the vehicle engine.**

4. Maintenance

Besides reducing the noise produced by the air flow along the vacuum line, the silencer also traps the oil vapour at the outlet due to decompressor lubrication. Under ordinary use conditions, we recommend discharging the silencer on a daily basis.

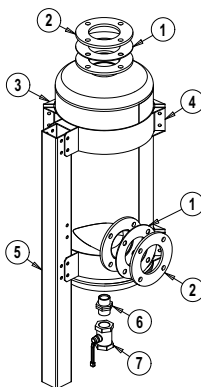
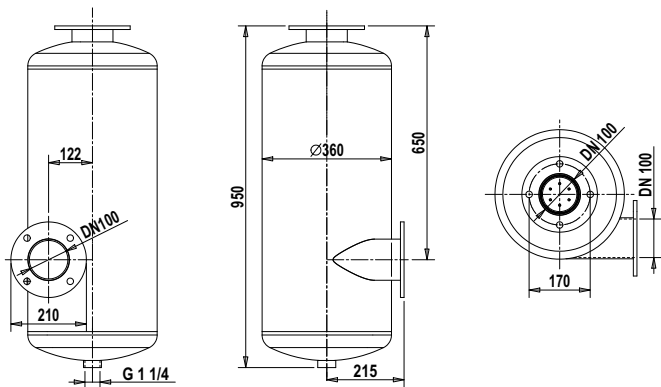
 **Recover the drained material and dispose of it in compliance with the standards in force.**

The oil must be drained through the drain valve that must be installed in correspondence of the lower hole.

Every time the silencer is drained, it is important to ensure that the volume of drained material does not exceed the volume of the silencer tank (see values indicated in paragraph 2). If so, reduce the maintenance intervals.

PR SILENCERS

PR150 – 200 SILENCER – code 15470 014 00 (MILD STEEL) - code 15470 019 00 (STAINLESS STEEL)

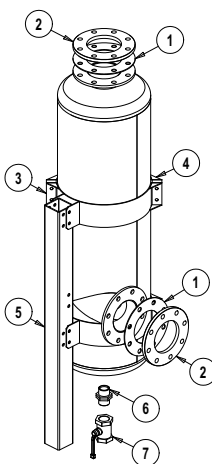
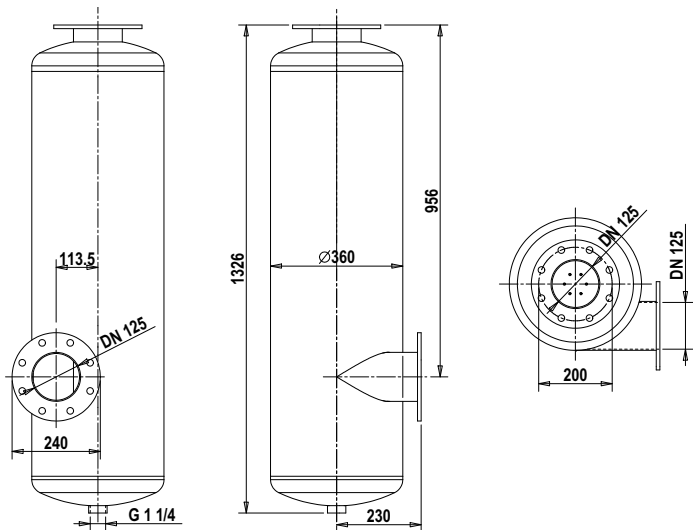


Accessories available upon request

Pos.	Code	Description	Qty
1	16807X7VA0	SEALS DN100 PN6	2
2	4026713007	4-HOLE FLANGE TH.10 (IRON)	2
	1610017400	4-HOLE FLANGE TH.10 (STAINLESS STEEL)	2
3	15130165B0	IRON CLAMP D.360	2
4	15130164B0	IRON CLAMP D.360 WITH SUP.	2
5	1613043600	STANDING SUPPORT	1
6	4026740506	1" 1/4 NIPPLE	1
7	4024405005	1" 1/4 BALL VALVE	1

These accessories do not include nuts and bolts.

PR250 – 330 SILENCER – code 15470 017 00 (MILD STEEL) - code 15470 020 00 (STAINLESS STEEL)

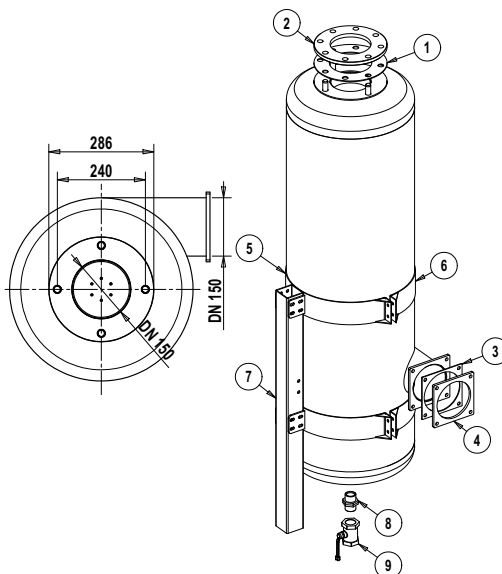
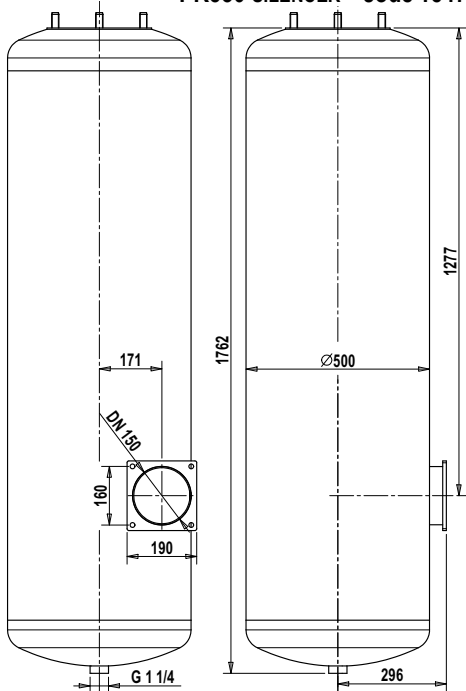


Accessories available upon request

Pos.	Code	Description	Qty
1	16807X86A0	SEALS DN125 PN6	2
2	4026713008	8-HOLE FLANGE TH.14 (IRON)	2
	1610017300	4-HOLE FLANGE TH.10 (STAINLESS STEEL)	2
3	15130165B0	IRON CLAMP D.360	2
4	15130164B0	IRON CLAMP D.360 WITH SUP.	2
5	1613043600	STANDING SUPPORT	1
6	4026740506	1" 1/4 NIPPLE	1
7	4024405005	1" 1/4 BALL VALVE	1

These accessories do not include nuts and bolts.

PR530 SILENCER – code 15470 KY2 B0 (MILD STEEL) - code 15470 KWU B0 (STAINLESS STEEL)



Accessories available upon request

Pos.	Code	Description	Qty
1	16807X97A0	SEALS DN150 PN10	1
2	16100ACSB0	8-HOLE FLANGE TH.15 (IRON)	1
	16100ZC3A0	8-HOLE FLANGE TH.15 (STAINLESS STEEL)	1
3	16807X7QA0	SQUARE SEAL DN150	1
4	1612005900	4-HOLE FLANGE TH.10 (IRON)	1
	1612005500	4-HOLE FLANGE TH.10 (STAINLESS STEEL)	1
5	15130A81B0	IRON CLAMP D.500 WITH SUP.	2
6	15130A82B0	IRON CLAMP D.500	2
7	1613043600	STANDING SUPPORT	1
8	4026740506	1" 1/4 NIPPLE	1
9	4024405005	1" 1/4 BALL VALVE	1

These accessories do not include nuts and bolts.