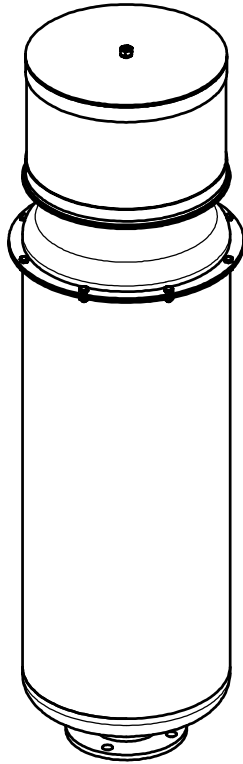
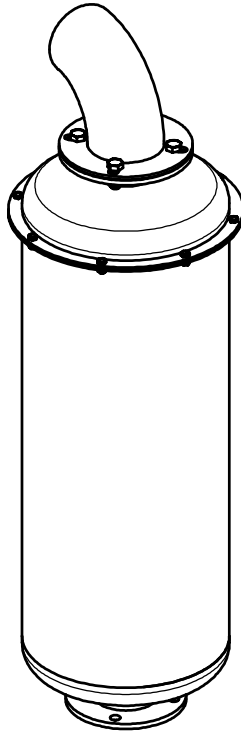


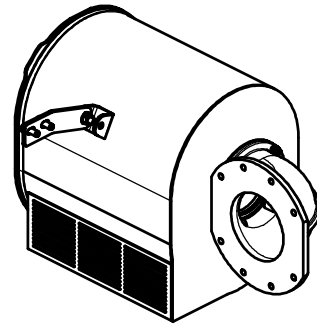
ORIGINAL INSTRUCTIONS



STANDARD PVT-HELIX-CT-CTH SILENCERS  
(INJECTION/DISCHARGE)

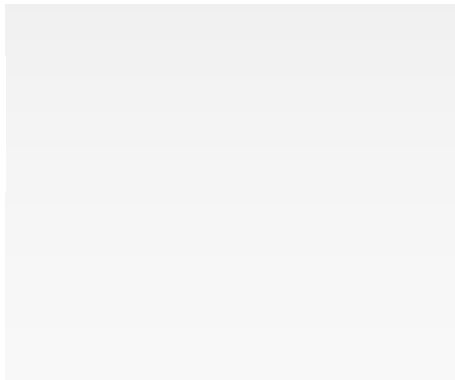


STANDARD PVT-HELIX PVT-HELIX-CT-CTH  
SILENCERS  
(DISCHARGE)



COMPACT PVT-HELIX MUFFLER  
(INJECTION)

TECHNICAL DATA SHEET



## 1. General warnings

This technical data sheet contains technical information concerning silencers for blowers and vacuum pumps and the main installation and maintenance instructions.

Complying with the instructions contained in this technical data sheet is crucial for the warranty on defective parts. Upon receiving the goods, ensure that they are intact and have not been accidentally damaged during transport. In the event parts of the accessory must be replaced, **only use original spare parts**.

## 2. Technical data

The **silencers** are designed to be installed in correspondence with the discharge (standard silencers) or injection line (both standard and compact silencers) of blowers and vacuum pumps without lubrication (typically of the PVT-HELIX-CT-CTH Series), used to create pressure or vacuum inside tanks.

The **compact injection muffler** replaces the standard injection muffler. It is installed on the PVT-HELIX side. The suction group is developed to make the installation easier on stationary or mobile vacuum-pressure plants, conveying air.

The silencers carry out two main functions:

- attenuate the noise produced by decompressor operation;
- filter the suctioned air (at injection / suction) in order to prevent powdery particles over a determined size from entering the pump, thus compromising its operation.

Each category has the following two types:

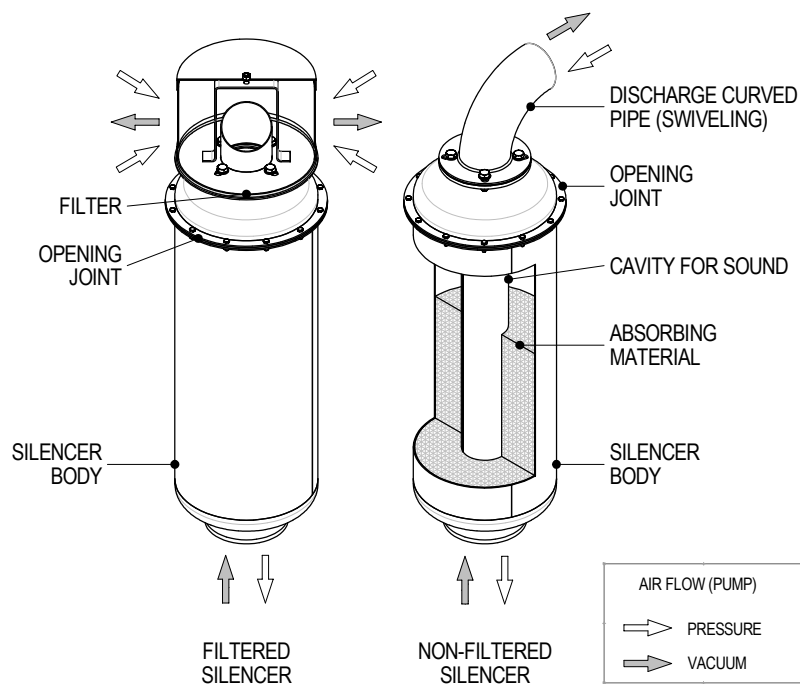
- **Filtered:** for injection installation (for all pumps) or to the discharge (for ATEX pumps, should they also be able to work under pressure, e.g. during tank draining operations). Filtered silencers have a Mesh 120 filtering degree.
- **Non-filtered:** for discharge installations (with the exception of ATEX pumps in which operation under pressure is provided for).

The **compact injection muffler** are made of painted S235JR mild steel and are available for the following vacuum pumps: PVT200-280-400-700 and HELIX140-180-220-300-450-550-750.

Each category has the following two types:

- **Filtered:** for injection installation (for all pumps) or to the discharge (for ATEX pumps, should they also be able to work under pressure, e.g. during tank draining operations). Filtered silencers have a Mesh 120 filtering degree.
- **Non-filtered:** for discharge installations (with the exception of ATEX pumps in which operation under pressure is provided for).

The figure to the side displays a schematic diagram of two standard silencers (e.g. installed to the discharge), highlighting the main features.



The following table shows the main operation parameters and the possible combinations with different types of Jurop pumps:

	Model	Flow	Installation	Code	Material	Weight	Standard	ATEX pumps
SILENCER	PVT 60	360-560 m³/h	INJECTION-INTAKE DISCHARGE	1445004700	Fe	22,0 kg	●	
	CT 30-50			1445005100	Inox	21,0 kg	●	
			DISCHARGE	1547004900	Fe	20,0 kg	●	
				1547005200	Inox	18,0 kg	●	
OPEN-TYPE SILENCER	PVT 200-280	850-1850 m³/h	INJECTION-INTAKE DISCHARGE	1414014700	Fe	59,0 kg	●	●
	HELIX 140-180-220-300			1414014900	Inox	59,0 kg	●	●
	CT 80-105-130-180		DISCHARGE	1414014600	Fe	50,0 kg	●	○
	CTH 80-105-130-180			1414014800	Inox	50,0 kg	●	○
	PVT 400	2470-2600 m³/h	INJECTION-INTAKE DISCHARGE	1414014300	Fe	66,0 kg	●	●
	HELIX 450			1414014500	Inox	71,0 kg	●	●
	CT 240		DISCHARGE	1414014200	Fe	56,0 kg	●	○
	CTH 240			1414014400	Inox	61,0 kg	●	○
	PVT 700	3060-4150 m³/h	INJECTION-INTAKE DISCHARGE	1414013900	Fe	135,0 kg	●	●
	HELIX 550-750			14140072E0	Inox	135,0 kg	●	●
	CT 420		INJECTION	1414004N4C0	Fiberglass	32,0 kg	●	●
	CTH 330-420			DISCHARGE	1414013800	Fe	108,0 kg	●
		1414013500	Inox		108,0 kg	●	○	
	PVT 1000	6400 m³/h	INJECTION-INTAKE DISCHARGE (D.600)	1414014100	Fe	220,0 kg	●	●
	HELIX 1200			1414015200	Inox	220,0 kg	●	●
	CT 600		INJECTION-INTAKE DISCHARGE (D.500) <sup>1</sup>	14140048E0	Fe	195,0 kg	●	○
	CTH 600			14140049E0	Inox	195,0 kg	●	○
			INJECTION-INTAKE DISCHARGE (D.600) <sup>1</sup>	1414014000	Fe	193,0 kg	●	○
				14140038E0	Inox	193,0 kg	●	○
	HELIX 1500	8495 m³/h	INJECTION-INTAKE DISCHARGE	14140065E0	Fe	230,0 kg	●	●
	CTH 880			14140066E0	Inox	230,0 kg	●	●
			DISCHARGE	14140050E0	Fe	222,0 kg	●	○
				14140064E0	Inox	222,0 kg	●	○
	HELIX 2000 – CTH 1100	10860 m³/h	DISCHARGE	14140058E0	Fe	323,0 kg	●	
COMPACT SILENCER	PVT 200	850-1280 m³/h	INJECTION	1847000300	Fe	32,0 kg	●	
	HELIX 140-180-220			1847000500	Fe	37,0 kg		●
	PVT 280	1850 m³/h	INJECTION	1847000400	Fe	34,0 kg	●	
	HELIX 300			1847000600	Fe	38,0 kg		●
	PVT 400	2600 m³/h	INJECTION	1847000400	Fe	34,0 kg	●	
	HELIX 450			1847000600	Fe	38,0 kg		●
	HELIX 550	3060 m³/h	INJECTION	14140063E0	Fe	75,0 kg	●	
	PVT 700	4150 m³/h	INJECTION	1414012700	Fe	96,0 kg	●	
HELIX 750	1414013700			Fe	102,0 kg		●	

Fe: painted mild steel S235JR. Inox: stainless steel AISI 304L.

○ Only possible to couple if the pump is without 4-way valves (decompressor operation under pressure is not allowed).

<sup>1</sup> When choosing between a radial / axial silencer (D.500) and a radial / radial silencer (D.600), it is recommended to consider the vacuum line type and diameter of the tank. The D.500 silencers are recommended in case of large tankers set-ups.

### 3. Installation

The silencers are designed to be installed in correspondence with the discharge and injection line (depending on the choice of model) of lobe vacuum pumps (without lubrication).

To ensure attenuation of the noise produced by the decompressor, we recommend installing the silencer as close as possible to it and minimising the hose sections in the line.

The discharge silencer (when assailed by decompressor discharge airflows) is subjected to the passage of high-temperature air that may cause overheating.



**Attention: place the silencer out of the reach of operators or provide suitable guards.**

An adjustable curved pipe is installed on the outlet of the silencer, in order to prevent rain from entering and to enable positioning of the output airflow. Pay special attention to the fumes suctioned by the vacuum pump and emitted through the silencer.



**Attention: direct the silencer discharge away from operators and from the intake duct of the vehicle engine.**

Direct the silencer discharge output away from the silencer suction inlet in order to prevent the input of hot fluids into the injection inlet.

The following table shows the correct installation position for the different types of standard PVT-HELIX silencers (input always facing downwards).

INSTALLATION	HORIZONTAL	VERTICAL
PVT60, CT30-50		•
PVT200-280, HELIX140-300, CT/CTH80-180		•
PVT400, HELIX450, CT/CTH240		•
PVT700, HELIX550-750, CT420, CTH330-420	•	○
PVT1000, HELIX1200, CT/CTH600	•	
HELIX1500, CTH880	•	
HELIX2000, CTH1100	•	

○ Installation is only permitted for silencers in mild steel; for vertical installations, provide for a discharge valve for any accumulated materials in the silencer in correspondence with the threaded sleeve placed below.

The figure 3.1 shows a schematic diagram of a possible correct installation of silencers for a standard HELIX 450 pump (therefore, the use of a non-filtered silencer to the discharge is permissible). In order to be installed correctly, silencers must be supported by means of clamping points, e.g., with metal clamps (refer to the figure on the side), or with special support systems.

The figure 3.2 shows a schematic diagram of a possible correct installation of compact silencer for a *standard PVT200 pump* (therefore, the use of a non-filtered silencer to the discharge is permissible). In order to be installed correctly, silencers must be supported by means of clamping points, e.g., with metal clamps (refer to the figure on the side), or with special support systems.

The compact injection silencer is installed on the PVT-HELIX side. Provide enough space for air injection. An inefficient air injection could cause the vacuum pump overheating during the vacuum operation.

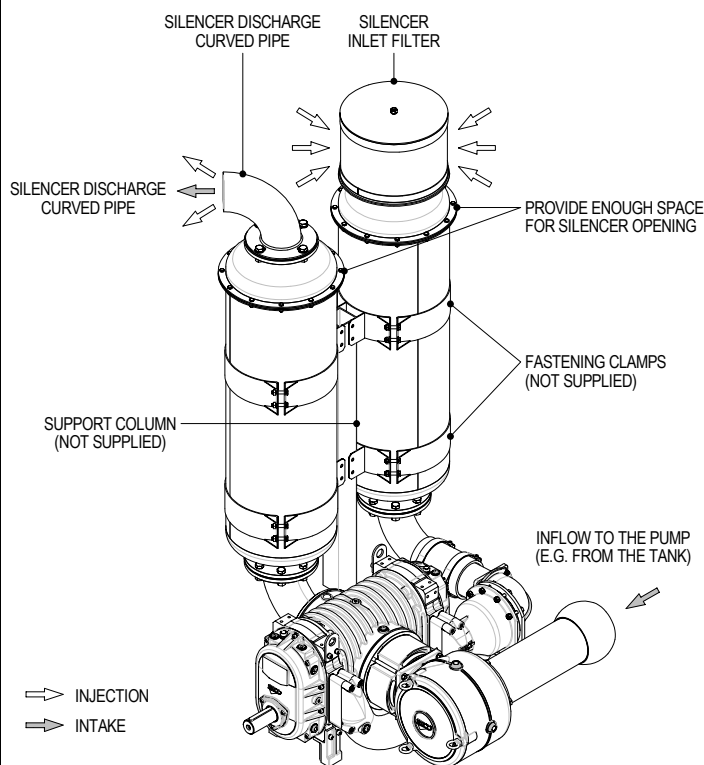


Fig. 3.1

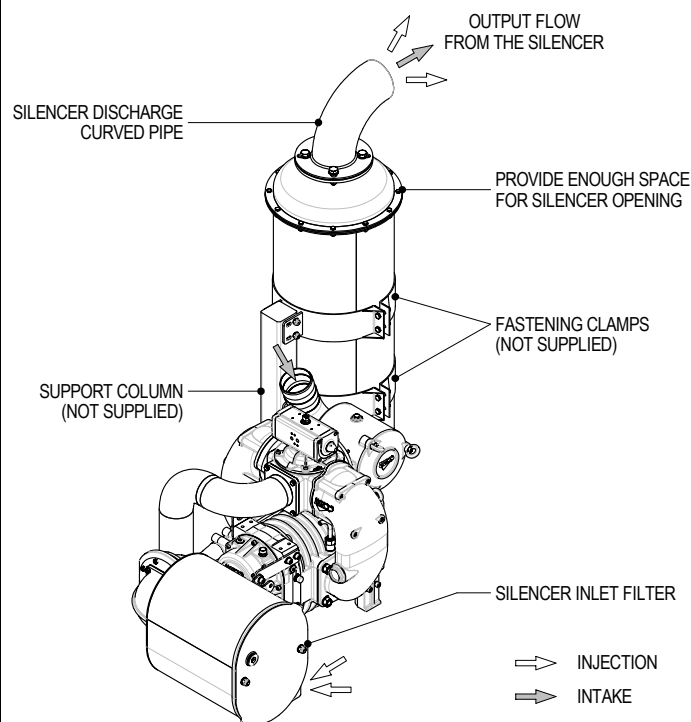


Fig. 3.2

**4. Maintenance**

The silencers can be opened (with the exception of the PVT60-CT30-50 series and the compound material version), thus enabling any worn sound-absorbing material to be replaced. You are, therefore, advised to position the silencer in such a way that the removable cover is sufficiently accessible.

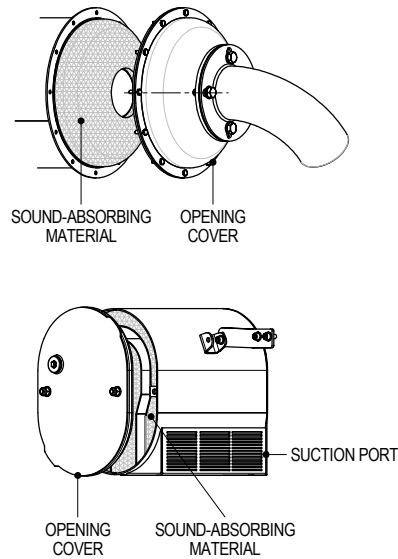
The open-type silencers are equipped with an opening cover to enable replacement of the worn sound-absorbing material (mineral wool) inside.

Remove the fastening screws of the cover and open the silencer. Replace the worn sound-absorbing material inside. Once the worn material has been removed, proceed in washing the inside of the silencer.

To order replacement material, supply the following code:

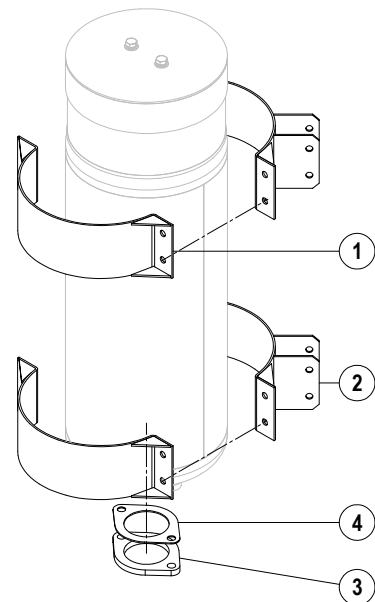
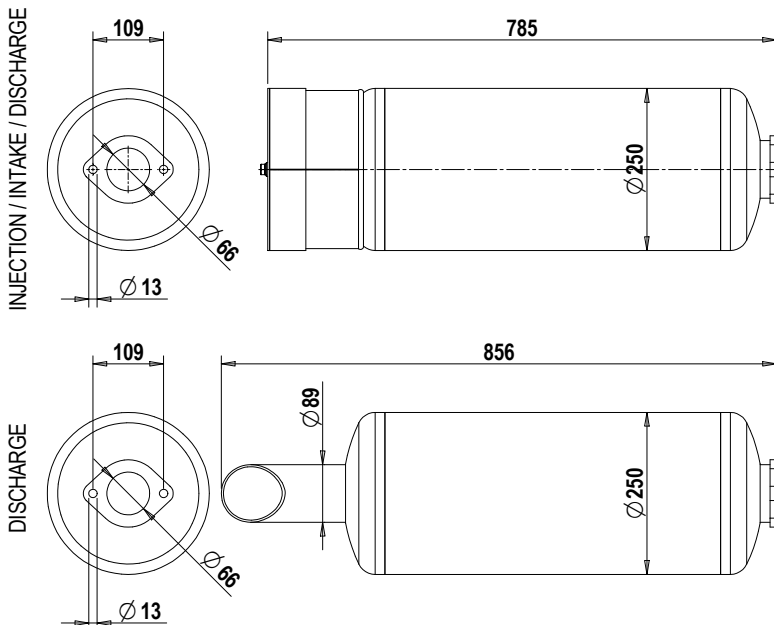
Mineral wool code 4022213600, refer to the following page for quantities.

Check weekly the cleanliness of the silencer suction port. Remove all the filth that obstruct the air-flow.



**STANDARD PVT-HELIX-CT-CTH SILENCER**

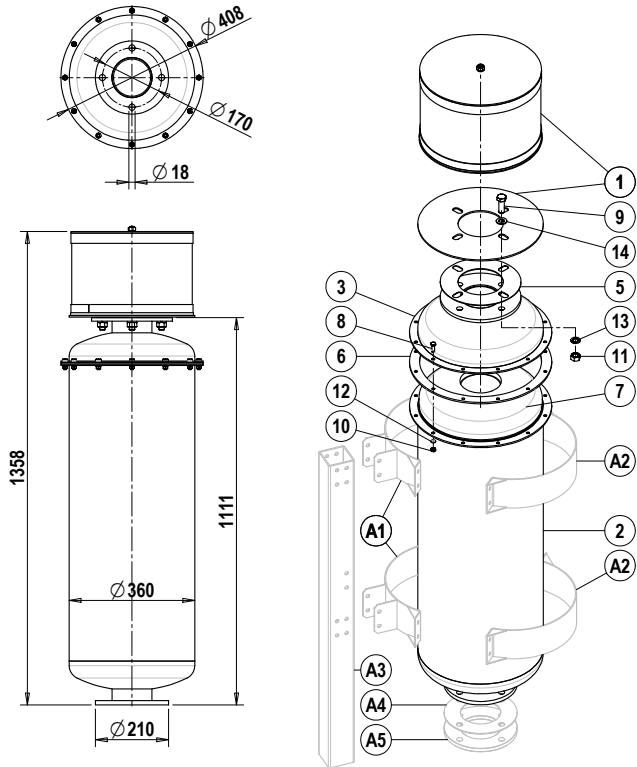
	Model	Flow	Installation	Codie	Material	Weight	Standard	ATEX pumps
SILENCERS	PVT 60	625 m³/h	INJECTION-INTAKE DISCHARGE	1445004700	Fe	22,0 kg	•	
	1445005100			Inox	21,0 kg	•		
	CT 30-50		DISCHARGE	1547004900	Fe	20,0 kg	•	
				1547005200	Inox	18,0 kg	•	



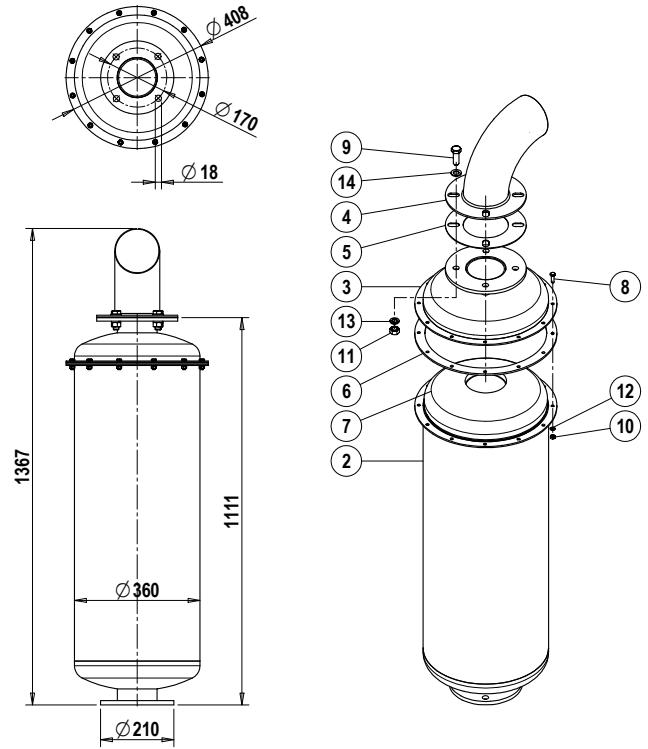
Pos.	Code	Description	Q.ty	Pos.	Code	Description	Q.ty
1	15130RJVB0	IRON CLAMP D.250	2	3	1610003500	FLANGE D.70	1
	15130GJVB0	STAINLESS STEEL CLAMP D.250	2	4	1680614500	GASKET	1
2	15130RJUB0	IRON CLAMP D.250 FE WITH SUPPORT	2				
	151303XGC0	STA. STEEL CLAMP D.250 WITH SUPPORT	2	NUTS AND BOLTS NOT INCLUDED			

	Model	Flow	Installation	Code	Material	Weight	Standard	ATEX pumps
OPEN-TYPE SILENCERS	PVT 200-280	850-1850 m <sup>3</sup> /h	INJECTION-INTAKE DISCHARGE	1414014700	Fe	59,0 kg	●	●
	1414014900			Inox	59,0 kg	●	●	
	CT 80-105-130-180		DISCHARGE	1414014600	Fe	50,0 kg	●	○
	CTH 80-105-130-180			1414014800	Inox	50,0 kg	●	○

INJECTION / INTAKE / DISCHARGE



DISCHARGE



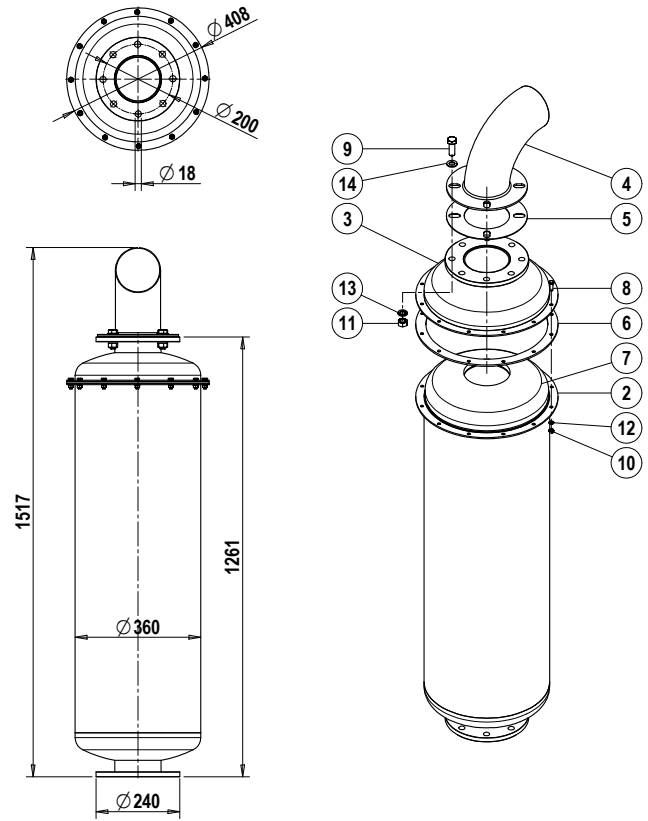
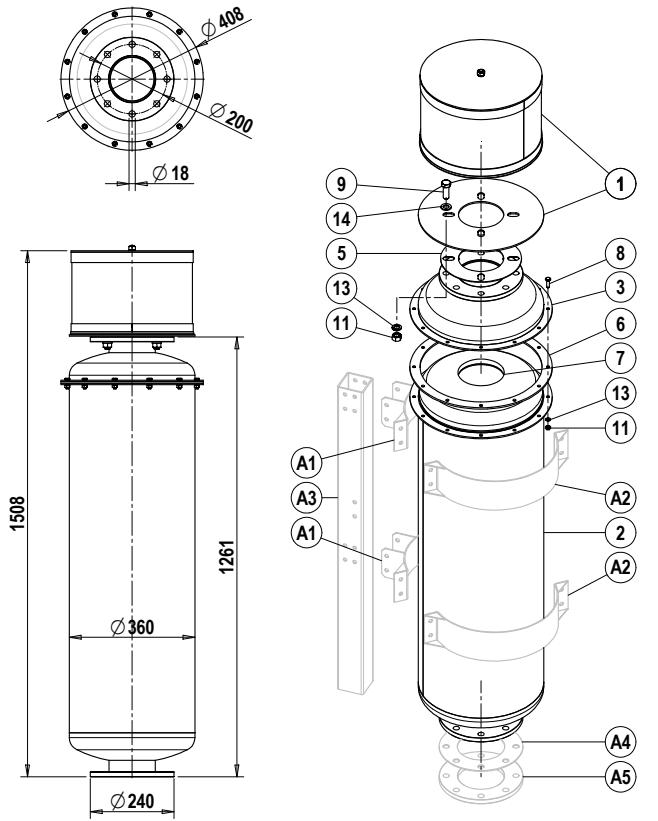
Pos.	Code	Description	Q.ty
1	1445007100	FILTER SILENCER	1
2	15470ZTQB0	MILD STEEL SILENCER	1
	15470ZTWB0	STAINLESS STEEL SILENCER	1
3	15470ZTRB0	MILD STEEL COVER SILENCER	1
	15470ZTXB0	STAINLESS STEEL COVER SILENCER	1
4	1563001NC0	DISCHARGE CURVED PIPE	1
5	1680701LC0	GASKET	1
6	16807ZSYB0	GASKET	1
7	4022213600	MINERAL WOOL	9 kg
8	4026102807	GALV. SCREW TE 8.8 M8X25	12
	4026150408	STAINLESS STEEL SCREW TE M8X25	12
9	4026103211	GALV. SCREW TE 8.8 M16X45	4
	4026150811	STAINLESS STEEL SCREW TE M16X40	4
10	4026308005	GALV. HEX NUT M8	12
	4026310007	STAINLESS STEEL HEX NUT M8	12
11	4026308009	GALV. HEX NUT M16	4
	4026310011	STAINLESS STEEL HEX NUT M16	4
12	4026350706	GALV. WASHER GROWER 8	12
	4026350405	STAINLESS STEEL WASHER GROWER M8	12
13	4026350711	GALV. WASHER GROWER 16	4
	4026350410	STAIN. STEEL WASHER GROWER M16	4
14	4026357009	GALV. WASHER M16	4

Pos.	Code	Description	Q.ty
		UPON REQUEST	
A1	15130164B0	IRON CLAMP D.360 WITH SUPPORT	2
	15130YAPA0	INOX CLAMP D.360 WITH SUPPORT	2
A2	15130165B0	MILD STEEL CLAMP D.360	2
	1513020000	STAINLESS STEEL CLAMP D.360	2
A3	1613043600	COLUMN SUPPORT	1
A4	16807X7VA0	GASKET DN100 PN6	1
A5	4026713007	IRON FLANGE DN100 PN6 SP.12	1
	4026713707	INOX FLANGE DN100 PN6 SP.12	1

	Model	Flow	Installation	Code	Material	Weight	Standard	ATEX pumps
OPEN-TYPE SILENCERS	PVT 400	2600 m <sup>3</sup> /h	INJECTION-INTAKE DISCHARGE	1414014300	Fe	66,0 kg	●	●
	HELIX 450			1414014500	Inox	71,0 kg	●	●
	CT 240		DISCHARGE	1414014200	Fe	56,0 kg	●	○
	CTH 240			1414014400	Inox	61,0 kg	●	○

INJECTION / INTAKE / DISCHARGE

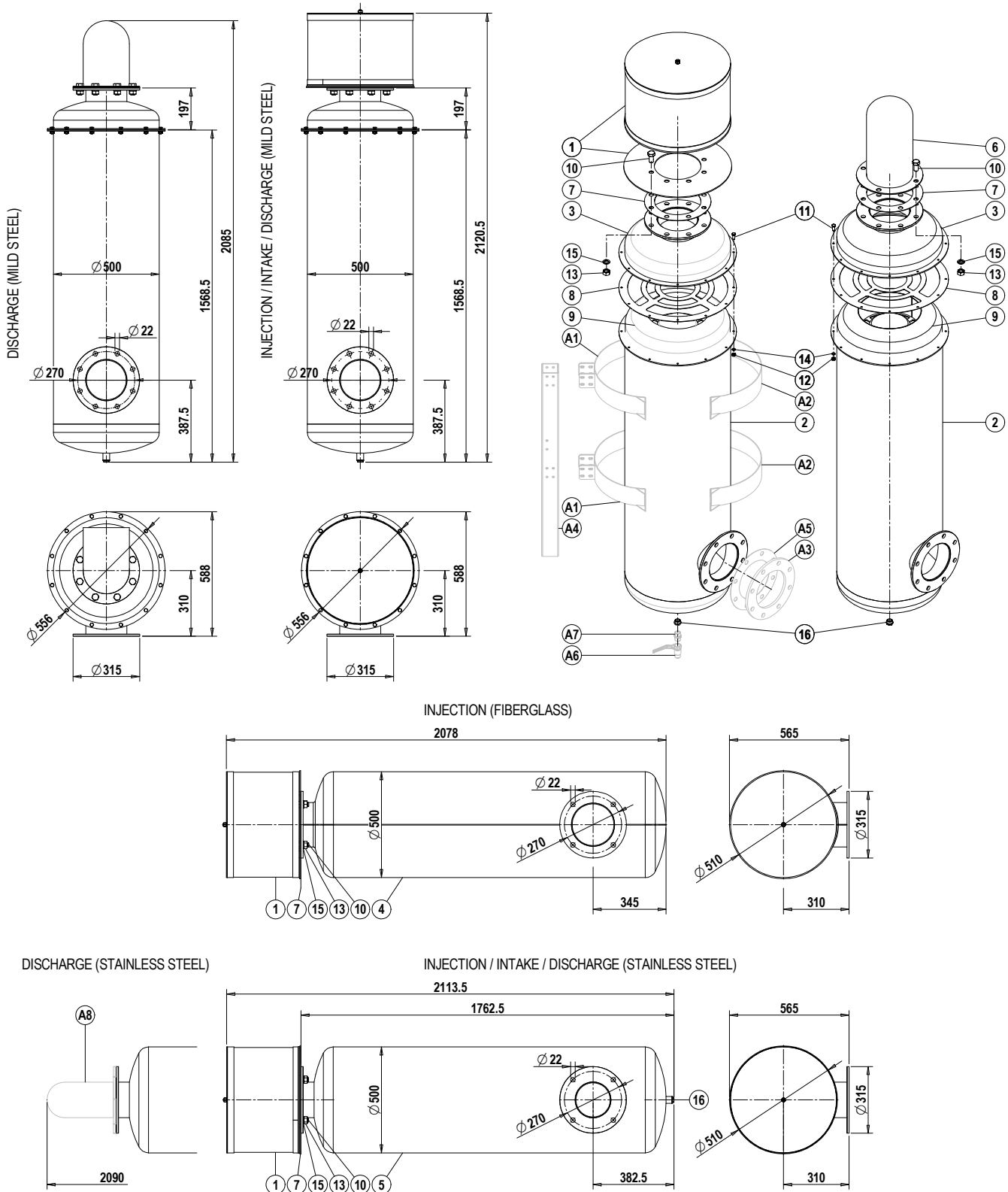
DISCHARGE



Pos.	Code	Description	Q.ty
1	1445007100	SILENCER FILTER	1
2	15470ZSQB0	MILD STEEL SILENCER	1
	15470ZTMB0	STAINLESS STEEL SILENCER	1
3	15470ZSRB0	MILD STEEL COVER SILENCER	1
	15470ZTDB0	STAINLESS STEEL COVER SILENCER	1
4	1563001NC0	DISCHARGE CURVED PIPE	1
5	1680701LC0	GASKET	1
6	16807ZSYB0	GASKET	1
7	4022213600	MINERAL WOOL	11 kg
8	4026102807	GALV. SCREW TE 8.8 M8X25	12
	4026150408	STAINLESS STEEL SCREW TE M8X25	12
9	4026103211	GALV. SCREW TE 8.8 M16X45	4
	4026150811	STAINLESS STEEL SCREW TE M16X40	4
10	4026308005	GALV. NUT M8	12
	4026310007	STAINLESS STEEL NUT M8	12
11	4026308009	GALV. NUT M16	4
	4026310011	STAINLESS STEEL NUT M16	4
12	4026350706	GALV. WASHER GROWER M8	12
	4026350405	STAINLESS STEEL WASHER GROWER M8	12

Pos.	Code	Description	Q.ty
13	4026350711	GALV. WASHER GROWER M16	4
	4026350410	STAINL. STEEL WASHER GROWER M16	4
14	4026357009	GALV. WASHER M16	4
UPON REQUEST			
A1	15130164B0	IRON CLAMP D.360 WITH SUPPORT	2
	15130YAPA0	INOX CLAMP D.360 WITH SUPPORT	2
A2	15130165B0	MILD STEEL CLAMP D.360	2
	1513020000	STAINLESS STEEL CLAMP D.360	2
A3	1613043600	COLUMN SUPPORT	1
A4	16807X86A0	GASKET DN125 PN6	1
A5	4026713008	MILD STEEL FLANGE DN125 PN6 SP.14	1
	4026713708	INOX FLANGE DN125 PN6 SP.15	1

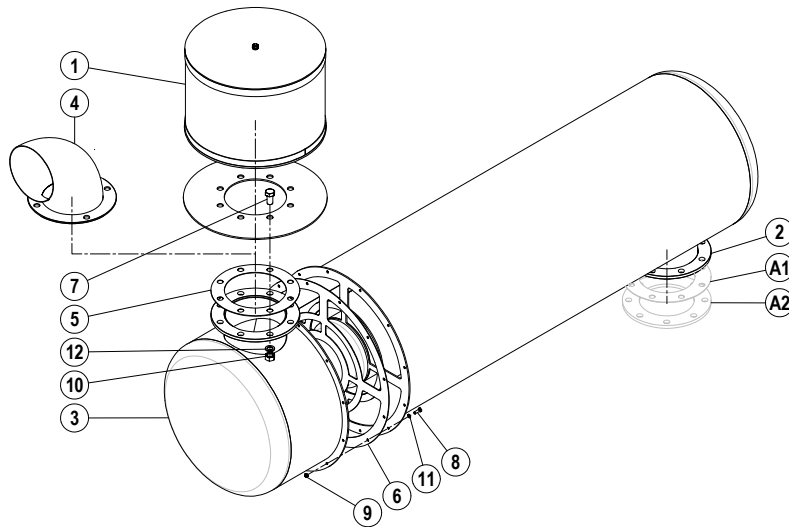
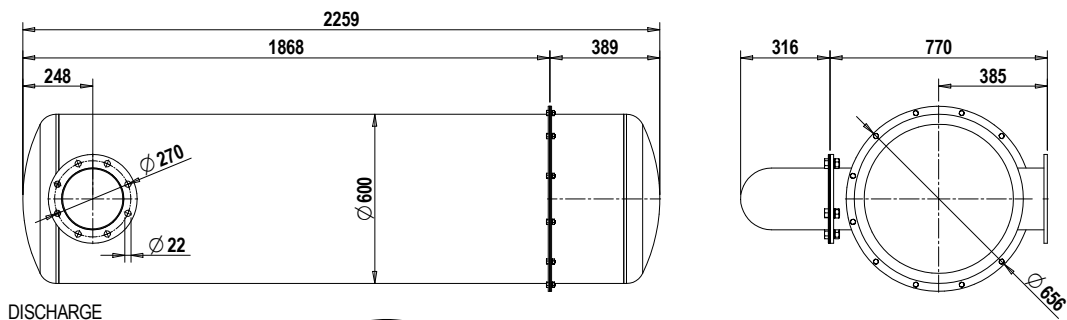
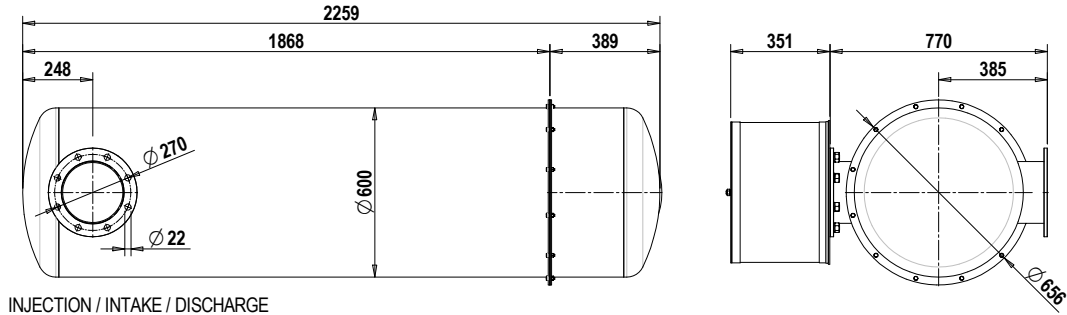
	Model	Flow	Installation	Code	Material	Weight	Standard	ATEX pumps
SILENCER	PVT 700	3060-4150 m <sup>3</sup> /h	INJECTION-INTAKE	14140072E0	Inox	135,0 kg	●	●
	HELIX 550-750		DISCHARGE	1414013500	Inox	108,0 kg	●	○
	CT 420		INJECTION	141404N4C0	Fiberglass	32,0 kg	●	●
OPEN TYPE	CTH 330-420		INJECTION-INTAKE	1414013900	Fe	135,0 kg	●	●
			DISCHARGE	1414013800	Fe	108,0 kg	●	○





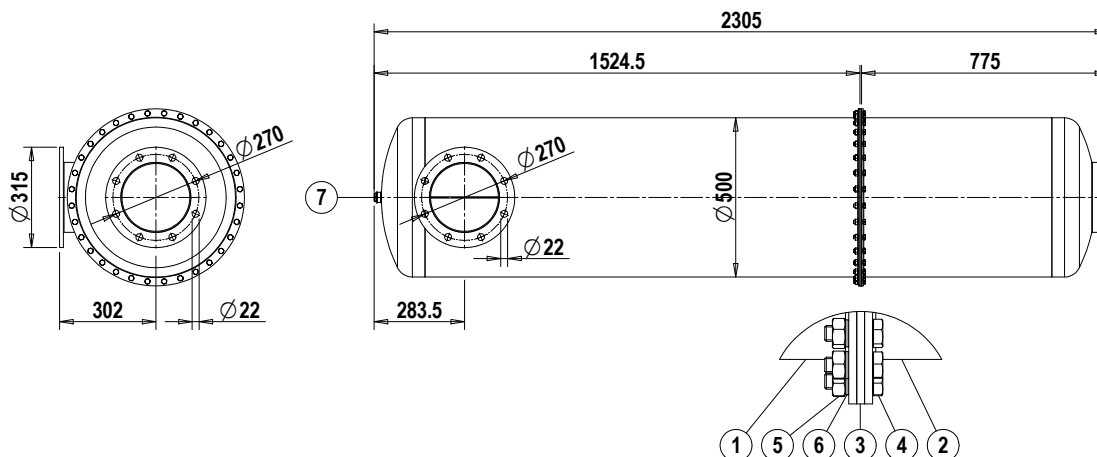
Pos.	Code	Description	Q.ty	Pos.	Code	Description	Q.ty
1	1445007000	FILTER SILENCER	1			UPON REQUEST	
2	15470ZR4B0	MILD STEEL SILENCER	1	A1	151306VYC0	IRON CLAMP D.500 WITH SUPPORT	2
3	15470ZRNBO	MILD STEEL COVER SILENCER	1		15130A81B0	INOX CLAMP D.500 WITH SUPPORT	2
4	1547004500	FIBERGLASS SILENCER	1	A2	15130L5RB0	MILD STEEL CLAMP D.500	2
5	1547004800	STAINLESS STEEL SILENCER	1		15130A82B0	STAINLESS STEEL CLAMP D.500	2
6	15630027C0	CURVED PIPE	1	A3	16100L4KB0	IRON FLANGE DN175 PN10 SP.12	1
7	16807026C0	GASKET	1		4026713610	INOX FLANGE DN175 PN10 SP.14	1
8	16807ZRRB0	GASKET	1	A4	1613043600	COLUMN SUPPORT	1
9	4022213600	MINERAL WOOL	22 kg	A5	1680711900	GASKET DN175 PN10	1
10	4026101811	GALV. SCREW TE M20X40	8	A6	4024409903	BALL VALVE M/F 3/4"	1
11	4026102907	GALV. SCREW TE M10X25	12	A7	4026740004	NIPPLE 3/4"	1
12	4026308006	GALV. HEX NUT M10	12	A8	4026731422	CURVED PIPE	1
13	4026308011	GALV. HEX NUT M20	8				
14	4026350708	GALV. WASHER GROWER 10	12				
15	4026350713	GALV. WASHER GROWER 20	8				
16	4026904002	GALV. PLUG 3/4"	1				

	Model	Flow	Installation	Code	Material	Weight	Standard	ATEX pumps
OPEN-TYPE SILENCER	PVT 1000	6400 m <sup>3</sup> /h	INJECTION-INTAKE DISCHARGE (D.600)	1414014100	Fe	220,0 kg	●	●
	HELIX 1200			1414015200	Inox	220,0 kg	●	●
	CT 600		DISCHARGE (D.600)	1414014000	Fe	193,0 kg	●	○
	CTH 600			14140038E0	Inox	193,0 kg	●	○



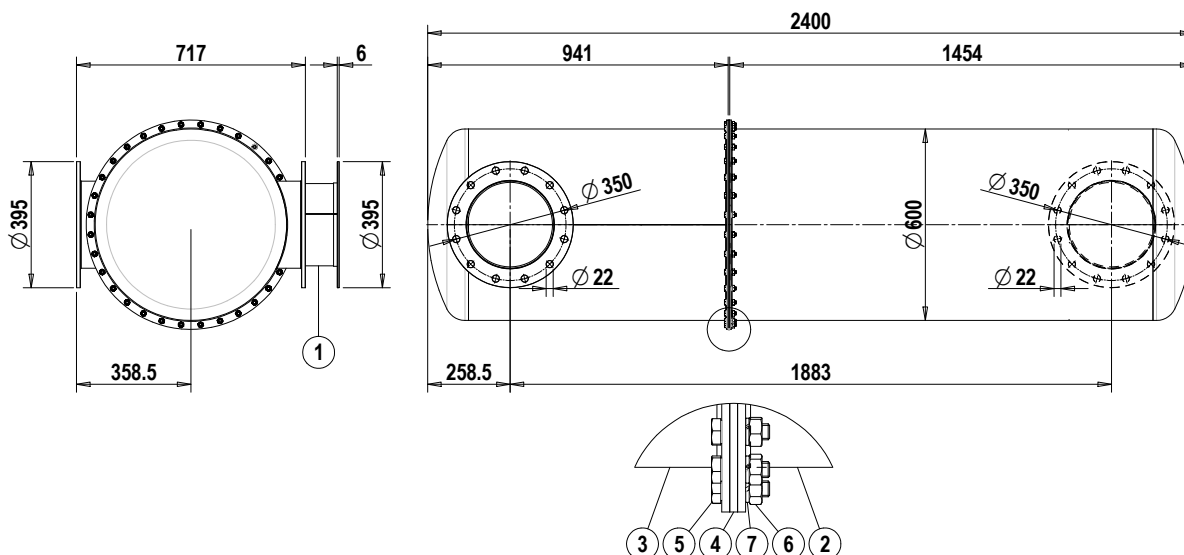
Pos.	Code	Description	Q.ty	Pos.	Codice	Description	Q.ty
1	1445007000	SILENCER FILTER	1	9	4026308006	GALV. HEX NUT M10	12
2	15470ZGUB0	MILD STEEL SILENCER	1		4026310007	INOX HEX NUT M8	12
	15470004E0	STAINLESS STEEL SILENCER	1	10	4026308011	GALV. HEX NUT M20	8
3	15470ZH3B0	MILD STEEL COVER SILENCER	1	11	4026350708	GALV. WASHER GROWER 10	12
	15470005E0	STAINLESS STEEL COVER SILENCER	1		4026350405	INOX WASHER GROWER M8	12
4	15630027C0	CURVED PIPE	1	12	4026350713	GALV. WASHER GROWER 20	8
		<i>Not supplied with silencer code 14140038E0</i>			4022213600	MINERAL WOOL	60 kg
5	16807026C0	GASKET DN175 PN10	1			UPON REQUEST	
6	16807ZJTBO	GASKET	1	A1	1680711900	GASKET DN175 PN10	1
7	4026101811	GALV. SCREW TE 8.8 M20X40	8	A2	16100L4KB0	IRON FLANGE DN175 PN10 SP.12	1
8	4026102907	GALV. SCREW TE 8.8 M10X25	12		4026713610	INOX FLANGE DN175 PN10 SP.14	1
	4026150408	STAINLESS STEEL SCREW TE M8X25	12				

	Model	Flow	Installation	Code	Material	Weight	Standard	ATEX pumps
OPEN TYPE	PVT 1000, HELIX 1200	6400 m <sup>3</sup> /h	INJECTION-INTAKE DISCHARGE (D.500)	14140048E0	Fe	195,0 kg	●	○
	CT-CTH 600			14140049E0	Inox	195,0 kg	●	○



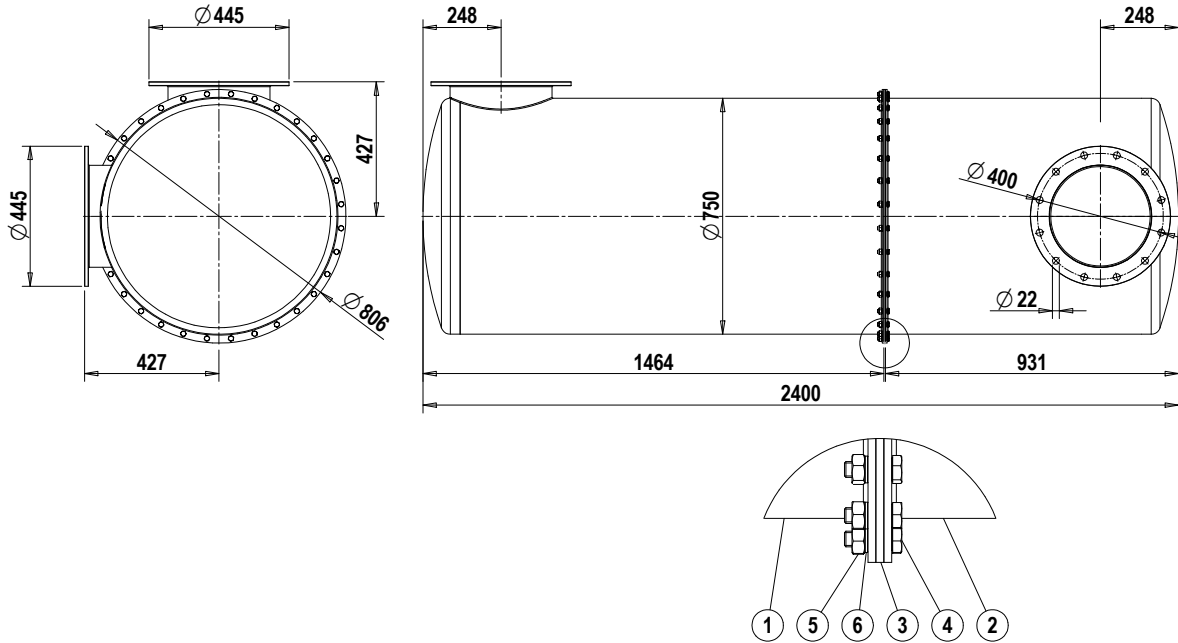
Pos.	Code	Description	Q.ty	Pos.	Code	Description	Q.ty
1	15476007E0	MILD STEEL SILENCER	1	4	4026102908	GALV. SCREW TE 8.8 M10X30	32
	15470007E0	STAINLESS STEEL SILENCER	1		5	4026308006	GALV. HEX NUT M10
2	15476008E0	MILD STEEL SILENCER	1	6		4026350708	GALV. WASHER GROWER 10
	15470008E0	STAINLESS STEEL SILENCER	1		7	4026904002	GALV. PLUG 3/4"
3	16807057E0	GASKET	1			4022213600	MINERAL WOOL

	Model	Flow	Installation	Code	Material	Weight	Standard	ATEX pumps
OPEN TYPE SILENCER	HELIX 1500	8495 m <sup>3</sup> /h	INJECTION-INTAKE DISCHARGE	14140065E0	Fe	230,0 kg	●	●
	CTH 880			14140066E0	Inox	230,0 kg	●	●
			DISCHARGE	14140050E0	Fe	222,0 kg	●	○
				14140064E0	Inox	222,0 kg	●	○



Pos.	Code	Description	Q.ty	Pos.	Code	Description	Q.ty
1	15450102E0	CARTRIDGE <i>14140065E0 and 14140066E0 only</i>	1	4	16806045E0	GASKET	1
2	15470010E0	MILD STEEL SILENCER 1	1		5	4026102908	GALV. SCREW TE 8.8 M10X30
	15470015E0	STAINLESS STEEL SILENCER 1	1	6		4026308006	GALV. HEX NUT M10
3	15470011E0	MILD STEEL SILENCER 2	1		7	4026350708	GALV. WASHER GROWER 10
	15470016E0	STAINLESS STEEL SILENCER 2	1			4022213600	MINERAL WOOL

OPEN TYPE	Model	Flow	Installation	Code	Material	Weight	Standard	ATEX pumps
	HELIX 2000 – CTH 1100	10860 m <sup>3</sup> /h	DISCHARGE	14140058E0	Fe	323,0 kg	•	

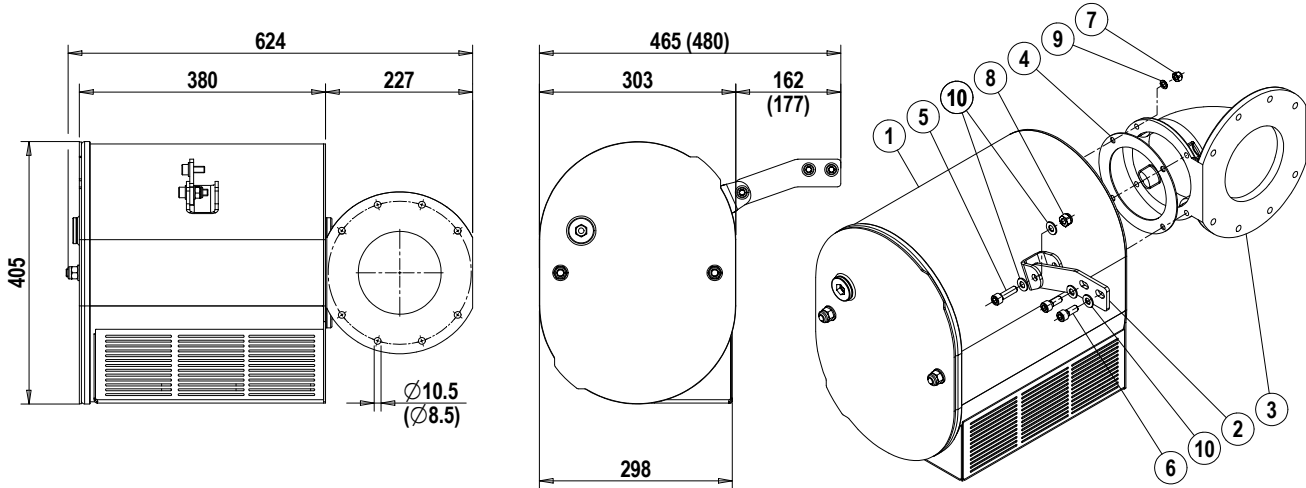


Pos.	Code	Description	Q.ty
1	15470013E0	MILD STEEL SILENCER 1	1
2	15470014E0	MILD STEEL SILENCER 2	1
3	16806051E0	GASKET	1
4	4026102908	GALV. SCREW TE 8.8 M10X30	32

Pos.	Code	Description	Q.ty
5	4026308006	GALV. HEX NUT M10	32
6	4026350708	GALV. WASHER GROWER 10	32
	4022213600	MINERAL WOOL	70 kg

**COMPACT PVT-HELIX SILENCERS**

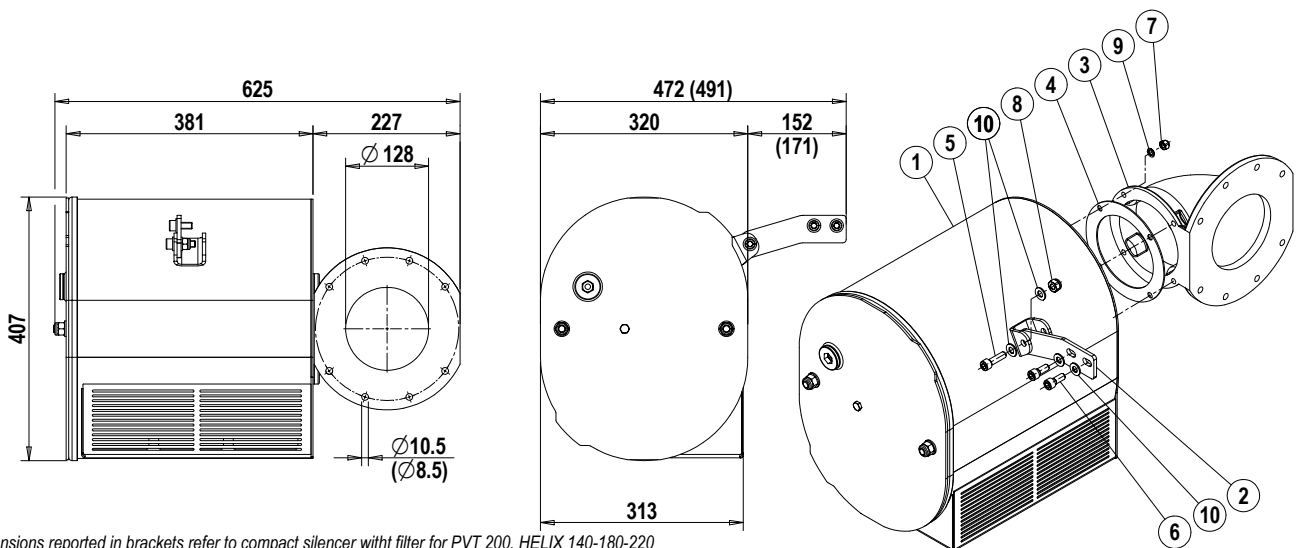
Model	Flow	Installation	Code	Material	Weight	Standard	ATEX pumps
PVT 200, HELIX 140-180-220	850-1280 m³/h	INJECTION	1847000300	Fe	32,0 kg	•	
PVT 280, HELIX 300	1850 m³/h	INJECTION	1847000400	Fe	34,0 kg	•	
PVT 400, HELIX 450	2600 m³/h	INJECTION					



Dimensions reported in brackets refer to compact silencer without filter for PVT 200, HELIX 140-180-220

Pos.	Code	Description	Q.ty	Pos.	Code	Description	Q.ty
1	1414012800	INJECTION SILENCER	1	6	4026121808	GALV. SCREW TCEI 8.8 M10X25	2
2	16120MJJB0	SUPPORT CLAMP (PVT 200 SILENCER)	1	7	4026305504	SELF-LOCKING NUT M8	4
	16120MJMB0	SUPPORT CLAMP (PVT 280-400 SILENC.)	1	8	4026305507	SELF-LOCKING NUT M10	1
3	1627105300	COLLECTOR (PVT 200 SILENCER)	1	9	4026350706	WASHER GROWER 8	4
	1627104200	COLLECTOR (PVT 280-400 SILENCER)	1	10	4026357006	WASHER M10	4
4	1680712700	GASKET	1				
5	4026120507	GALV. SCREW TCEI 8.8 M10X35	1		4022213600	MINERAL WOOL	2,5kg

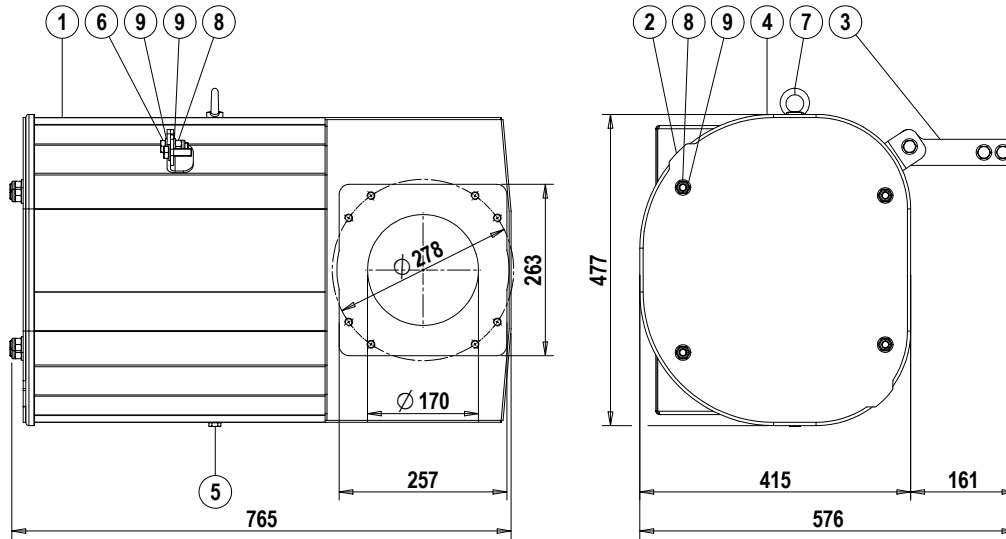
Model	Flow	Installation	Code	Material	Weight	Standard	ATEX pumps
PVT 200, HELIX 140-180-220	850-1280 m³/h	INJECTION	1847000500	Fe	37,0 kg		•
PVT 280, HELIX 300	1850 m³/h	INJECTION	1847000600	Fe	38,0 kg		•
PVT 400, HELIX 450	2600 m³/h	INJECTION					



Dimensions reported in brackets refer to compact silencer with filter for PVT 200, HELIX 140-180-220

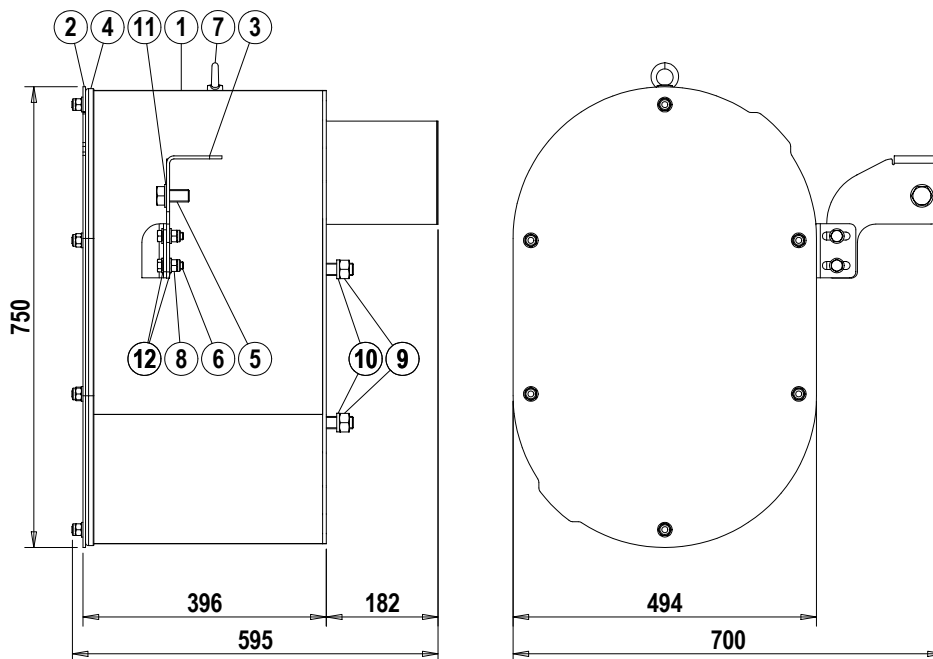
Pos.	Code	Description	Q.ty	Pos.	Code	Description	Q.ty
1	1414013600	INJECTION SILENCER	1	6	4026121808	GALV. SCREW TCEI 8.8 M10X25	2
2	16120MJJB0	SUPPORT CLAMP (PVT 200 SILENCER)	1	7	4026305504	SELF-LOCKING NUT M8	4
	16120ZDWB0	SUPPORT CLAMP (PVT 280-400 SILENC.)	1	8	4026305507	SELF-LOCKING NUT M10	1
3	1627105300	COLLECTOR (PVT 200 SILENCER)	1	9	4026350706	WASHER GROWER 8	4
	1627104200	COLLECTOR (PVT 280-400 SILENCER)	1	10	4026357006	WASHER M10	4
4	1680712700	GASKET	1				
5	4026120507	GALV. SCREW TCEI 8.8 M10X35	1		4022213600	MINERAL WOOL	2,5kg

Model	Flow	Installation	Code	Material	Weight	Standard	ATEX pumps
HELIX 550	3060 m <sup>3</sup> /h	INJECTION	14140063E0	Fe	75,0 kg	•	



Pos.	Code	Description	Q.ty	Pos.	Code	Description	Q.ty
1	15120385E0	SILENCER BOX	1	6	4026103003	GALV. SCREW TE 8.8 M12X35	3
2	15406007E0	SILENCER COVER	1	7	4026190100	EYEBOLT M10	1
3	16120790K0	SUPPORT CLAMP	1	8	4026305508	SELF-LOCKING NUT M12	5
4	4022212101	RUBBER EXTRUSION 10X13,6	1 mt	9	4026356107	WASHER M12	8
5	4026102904	GALV. SCREW TE 8.8 M10X16	1		4022213600	MINERAL WOOL	7,5kg

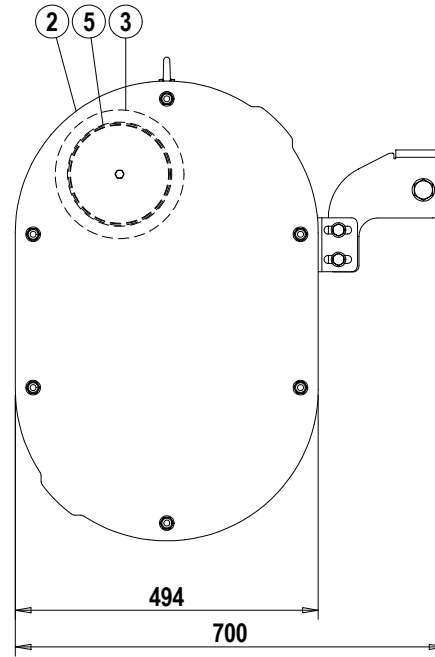
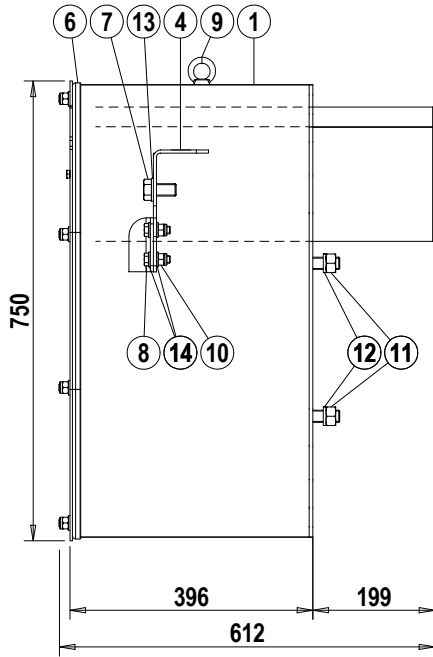
Model	Flow	Installation	Code	Material	Weight	Standard	ATEX pumps
PVT700, HELIX 750	4150 m³/h	INJECTION	1414012700	Fe	82,0 kg	•	



Pos.	Code	Description	Q.ty
1	15120KHZB0	SILENCER BOX	1
2	15400KHXB0	SILENCER COVER	1
3	16120KH5B0	SUPPORT CLAMP	1
4	4022212101	RUBBER EXTRUSION 10X13,6	2,06mt
5	4026101811	GALV. SCREW TE 8.8 M20X40	1
6	4026103003	GALV. SCREW TE 8.8 M12X35	2
7	4026190100	EYEBOLT M10	1

Pos.	Code	Description	Q.ty
8	4026305508	SELF-LOCKING NUT M12	8
9	4026308011	GALV. HEX NUT M20	4
10	4026350512	GALV. WASHER GROWER 20	4
11	4026356111	WASHER M20	1
12	4026357007	GALV. WASHER M12	10
	4022213600	MINERAL WOOL	8,5kg

Model	Flow	Installation	Code	Material	Weight	Standard	ATEX pumps
PVT700, HELIX 750	4150 m <sup>3</sup> /h	INJECTION	1414013700	Fe	78,5 kg		•



Pos.	Code	Description	Q.ty
1	15120YWGB0	SILENCER BOX	1
2	15400ZE7B0	SILENCER COVER	1
3	15450YWJB0	CARTRIDGE	1
4	16120KH5B0	SUPPORT CLAMP	1
5	4022210002	MOUSSE (FOAM RUBBER) 20X5	0,60mt
6	4022212101	RUBBER EXTRUSION 10X13,6	2,06mt
7	4026101811	GALV. SCREW TE 8.8 M20X40	1
8	4026103003	GALV. SCREW TE 8.8 M12X35	2

Pos.	Code	Description	Q.ty
9	4026190100	EYEBOLT M10	1
10	4026305508	SELF-LOCKING NUT M12	8
11	4026308011	GALV. HEX NUT M20	4
12	4026350512	GALV. WASHER GROWER 20	4
13	4026356111	WASHER M20	1
14	4026357007	GALV. WASHER M12	10
	4022213600	MINERAL WOOL	8,5kg