

## ACCESSORIES AND COMPONENTS

### Suction hose reel

Rev. 01  
10-12-2015

**Jurop**

COMPANY WITH  
QUALITY SYSTEM  
CERTIFIED BY DNV GL  
= ISO 9001 =

COMPANY WITH  
ENVIRONMENTAL SYSTEM  
CERTIFIED BY DNV GL  
= ISO 14001 =

COMPANY WITH  
QUALITY SYSTEM  
CERTIFIED BY DNV GL  
= UNI EN ISO 3834-2 =

**TECHNICAL DATA**

The tilting suction hose reel is an accessory designed and sized to be incorporated into machines for the suction of sludge (or similar fluids) from road gullies, sewers and drains.

The tilting suction hose reel is typically installed on the rear of machines equipped with a tank at the rear. The suction is created by vacuum inside the tank (e.g. drainage vehicles).

The tilting hose reel allows simplifying the operator's work by nearing the hose to the workplace.

The tilting hose reel consists of a steel frame onto which an hydraulically rotating metal drum is installed. Depending on the model choosed, drum's diameter changes. It is designed to wind hoses having different diameters and lengths.

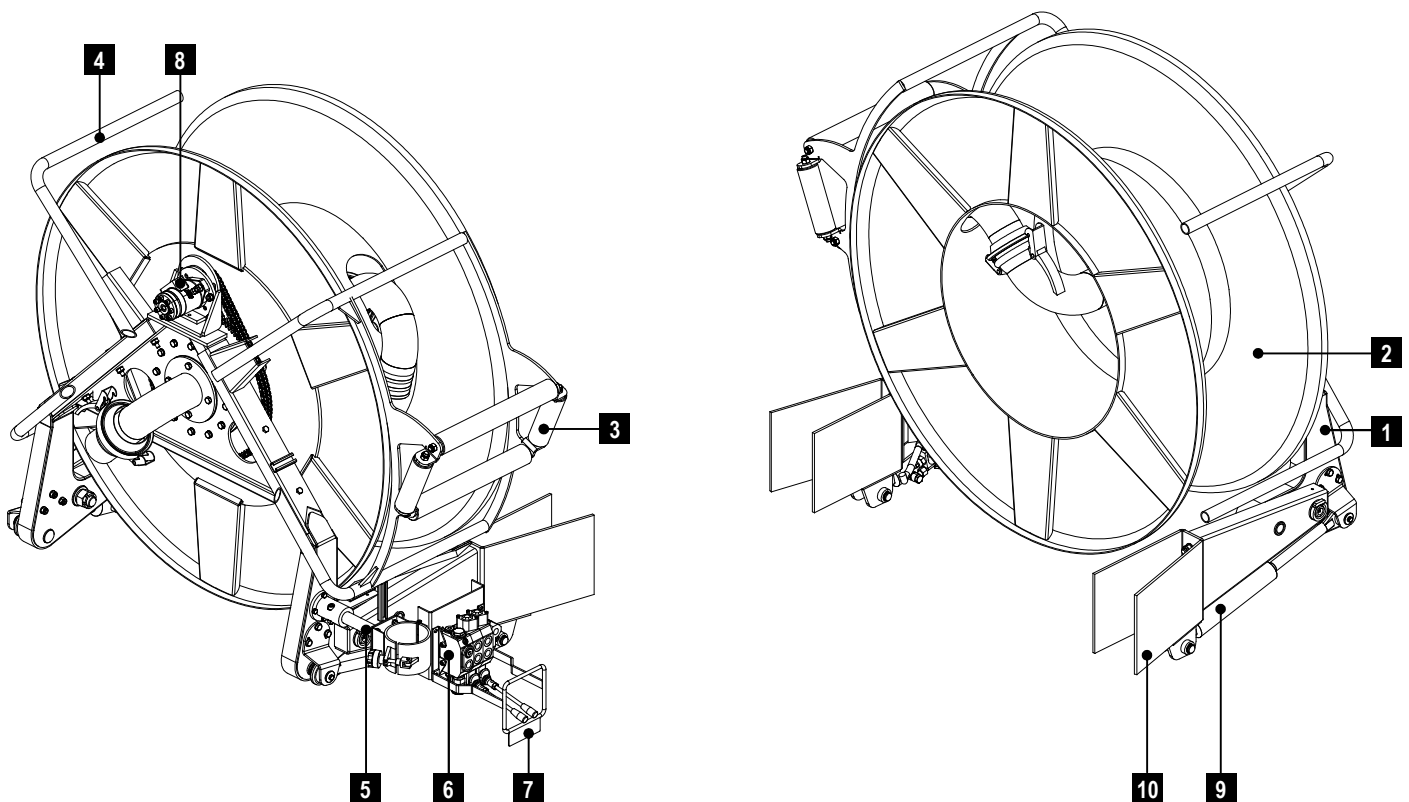
Tilting is possible due to oil-hydraulic cylinders, installed on the bottom part.

The tilting suction hose reel is available in the following versions:

- **Tilting suction hose reel:** Iron made, which can contain from 30mt to 50mt (DN80 or DN100) hose. With a D = 1400mm drum.
- **Tilting suction hose reel:** Stainless steel made, which can contain from 30mt to 50mt (DN80 or DN100) hose. With a D = 1400mm drum.
- **Tilting suction hose reel:** Stainless steel made, which can contain 25mt (DN80) hose. With a D = 1200mm drum.

The figure below shows a schematic view of the tilting hose reel (Diameter 1400mm), identifying its main components.

TILTING HOSE REEL (DE 1400MM)



**Legend**

1	Tilting hose reel support frame	6	Hydraulic distributor
2	Hose drum	7	Distributor protection
3	Hose guide system	8	Hydraulic motor
4	Hose support system	9	Oil-hydraulic cilinder with lock-system valve
5	Hose lock system	10	Fixing support

The table below shows the main operating parameters concerning hydraulic pressure and flow rate, hydraulic motor rotation speed and weight.

Operating parameters	
Parameters	Tilting hose reel
MAX INLET HYDRAULIC PRESSURE	150 bar
MAX HYDRAULIC FLOW RATE	40 l/min (15-20 l/min in servizio)
MOTOR REVS	0 : 300 revs/min
WEIGHT	430 Kg (De 1400mm)

**Note:** the data above concerning weight refer to the tilting hose reel without the wound hose.

### Available versions

The various versions of the tilting hose reels are distinguished by the following parameters:

- Type of manufacturing material, such as iron (S235JR carbon steel) and Stainless steel (Aisi304L);
- Metal drum diameter (De);
- Hose diameter and length;

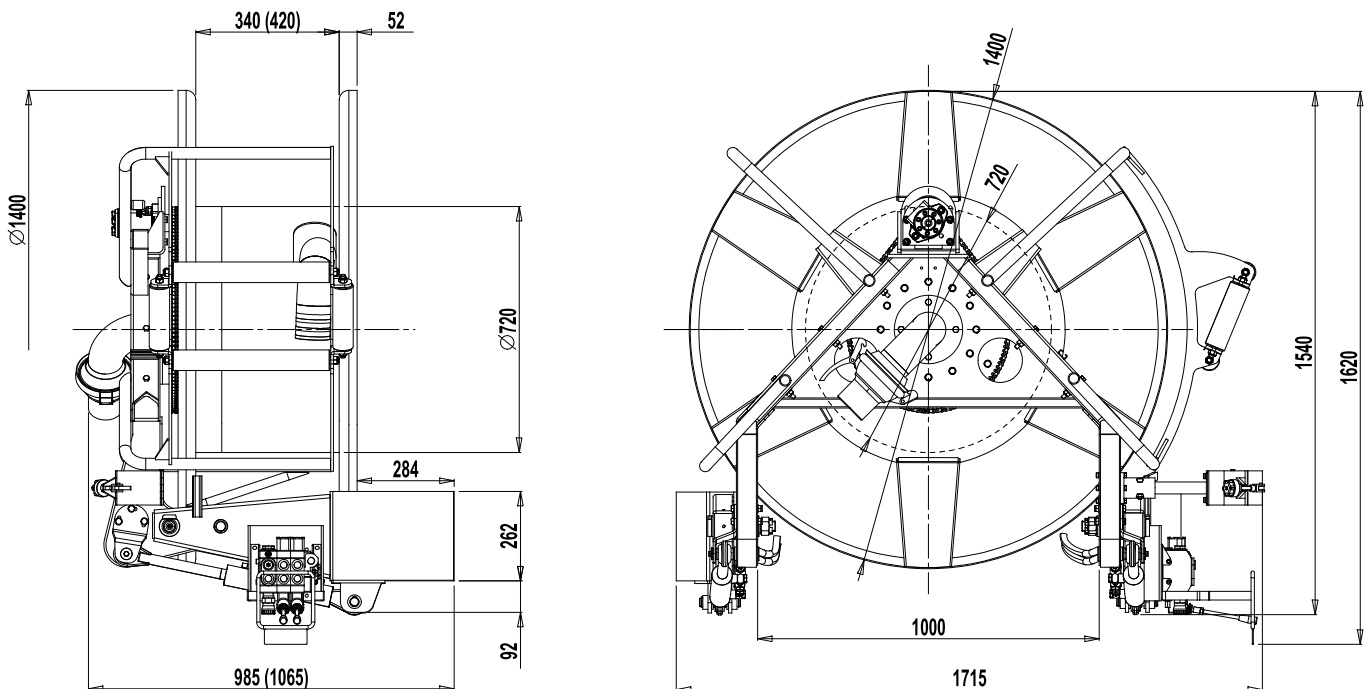
The following table shows the available models of tilting hose reels and their respective identification code.

Available versions					
Model	Code	Material	Drum (De)	Hose diameter	Hose length
Tilting hose reel (iron made)	13072 G9Z B0	Iron	1400 mm	80 (100) mm	50 (30) mt
	13072 016 00	Iron	1400 mm	80 mm	30 mt
Tilting hose reel (stainless steel made)	13072 099 00	Stainless steel	1400 mm	80 (100) mm	50 (30) mt
	13072 017 00	Stainless steel	1400 mm	80 mm	30 mt
Tilting hose reel (stainless steel made)	13072 ISJ B0	Stainless steel	1200 mm	80 mm	25 mt

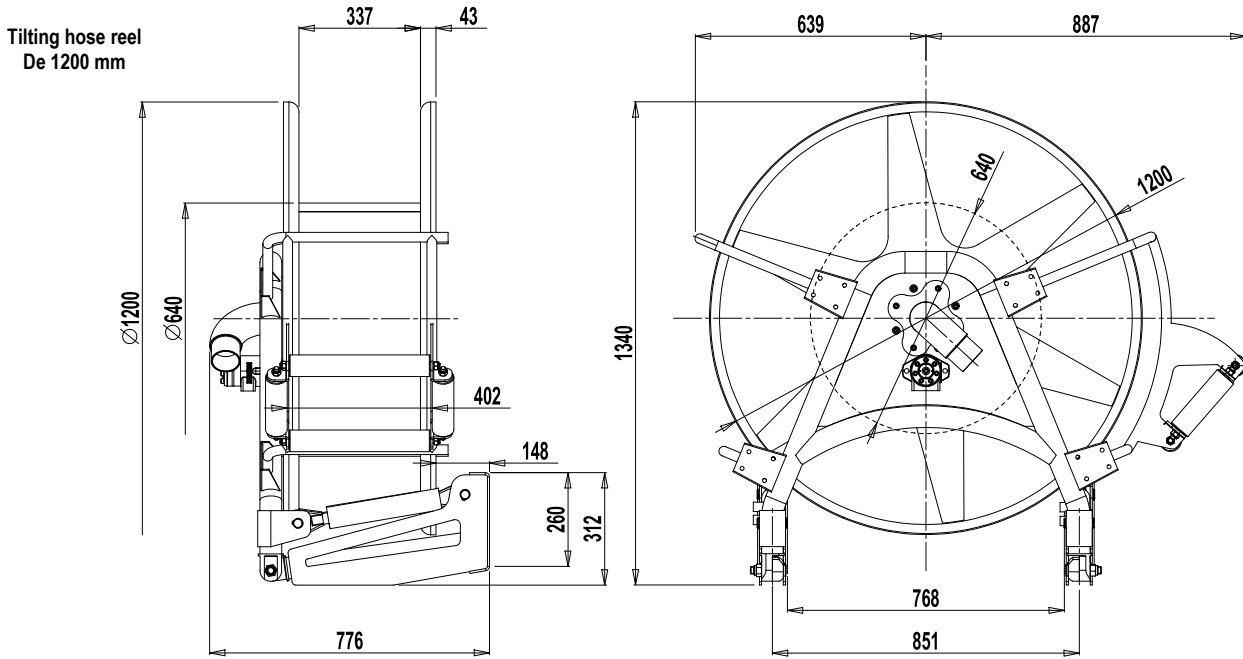
**Note:** Upon request, models 13072 G9Z B0 and 13072 099 00 are provided with a larger hose diameter (100 mm) and 30 meters in length.

### Tilting hose reel dimensions

Tilting hose reel  
De 1400 mm

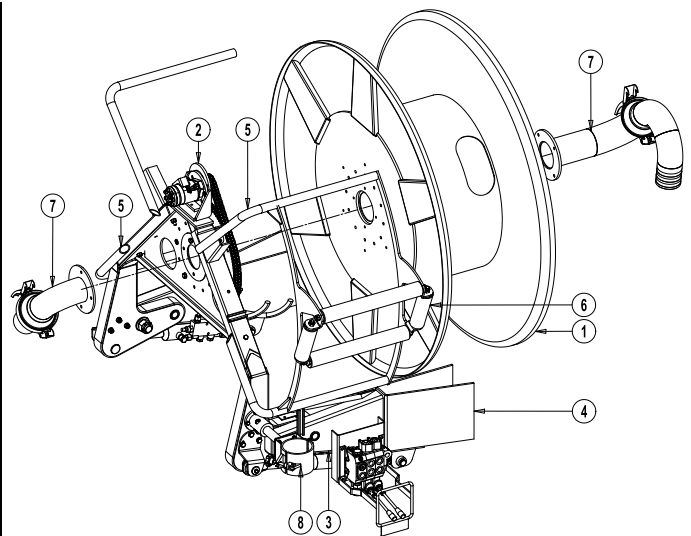


**Note:** values in brackets referred to the following tilting hose reel: 13072 G9Z B0 and 13072 099 00.



**MATERIALS**

1. The drum is made of S235JR carbon steel for the iron version and of Aisi304L stainless steel for the stainless steel version.
2. The support frame is made of S235JR carbon steel.
3. Supports (both right and left) are made of carbon steel with galvanized coating (surface finishing).
4. Fixing supports (usually at the rear tank) are made of S235JR carbon steel for the iron version and of Aisi304L stainless steel for the stainless steel version.
5. Hose guide-system and support-system are made of Aisi304L stainless steel.
6. The hose guide rollers are made of plastic material.
7. Suction collectors are made of stainless steel (Aisi304).
8. Hose lock system is made of carbon steel both for DN80 and DN100 hose. Rubber coating thickness may vary: double layer for DN80 and single layer for DN100.



**ACCESSORIES**

The tilting hose reel is equipped with a hydraulic distributor that controls the hydraulic actuators installed. The hydraulic distributor is designed with two actuator levers to control drum winding/unwinding and tilting.  
 On demand is possible to control drum winding/unwinding electrically (through a control box or a remote control).  
 Accessories available on demand:

- Hydraulic distributor with solenoid valve.
- ADR plate kit.
- Advertising space kit.

Jurop SpA reserves the right to make changes without notice - All components are available upon request.