

EN

FIXED HOSE REEL



ACCESSORIES AND COMPONENTS

High pressure main hose reel

jurop

COMPANY WITH
QUALITY SYSTEM
CERTIFIED BY DNV GL
= ISO 9001 =

TECHNICAL DATA

The fixed hose reel consists of a steel frame onto which a metal hydraulic rotation drum is installed (available in two versions: D=600 and D=820). The fixed hose reel has been designed to contain and transport hoses, specifically high pressure water hoses.

The fixed hose reel is intended to be incorporated into machines for cleaning and unblocking piping and ducts using high pressure water. The fixed hose reel is typically installed in correspondence of the rear of machines equipped with tanks.

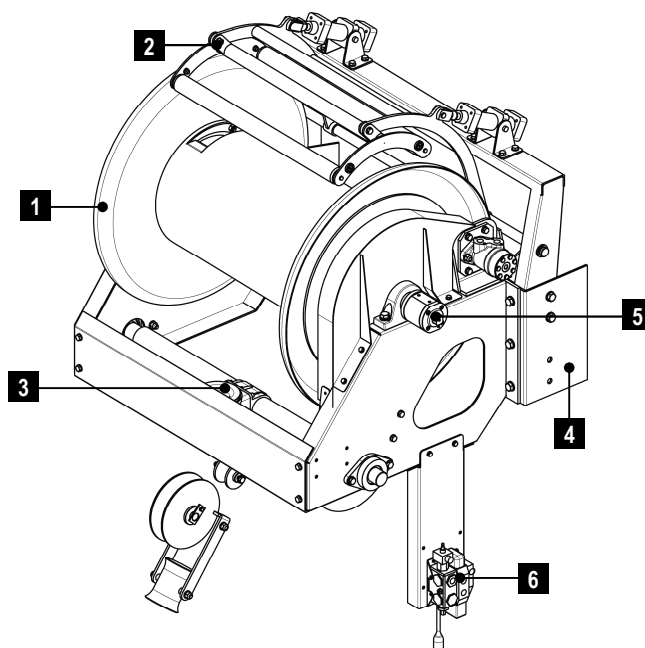
All the available fixed hose reels are equipped with automatic hose guide system (with upper or lower hose press according to the version), which ensures correct hose winding.

The presence of a rotating joint in correspondence of the high pressure water supply pipe on the hose winding drum allows supplying even during winding and unwinding operations.

The fixed hose reel is available in the following two versions:

- **Small fixed hose reel**, made of stainless steel with drum D=600 and low hose press;
- **Large fixed hose reel**, with drum D=820 and high hose guide, available in mild and stainless steel versions.

The figure below shows a schematic view of the fixed hose reel, identifying its main components.



LEGEND

1	Metal drum	4	Support frame
2	Hose press	5	Swivel fitting
3	Automatic hose guide	6	Hydraulic distributor

The following table shows the main operating parameters concerning hydraulic pressure and flow rate, hydraulic motor rotation speed and weight for the small and large versions.

OPERATING PARAMETERS

Parameter	Small fixed hose reel D=600	Large fixed hose reel D=820
MAX WATER PRESSURE	200 bar	200 bar
MAX INLET HYDRAULIC PRESSURE	150 bar	150 bar
MAX HYDRAULIC FLOW RATE	40 l/min (15-20 l/min in operation)	40 l/min (15-20 l/min in operation)
MOTOR REVS	0 - 300 revs/min	0 - 300 revs/min
MAX PNEUMATIC PRESSURE	8 bar (1-2 bar in operation)	8 bar (1-2 bar in operation)
WEIGHT	250 Kg	380 Kg

Note: the data above concerning weight refer to the fixed hose reel without the high pressure wound hose.

Available versions

The various versions of the fixed hose reels are distinguished by the following parameters:

- Diameter of the hose that can be installed in the ¾", 1" and 1¼" versions;
- Type of manufacturing material (except for small hose reels), such as iron (S235JR carbon steel) and Stainless steel;

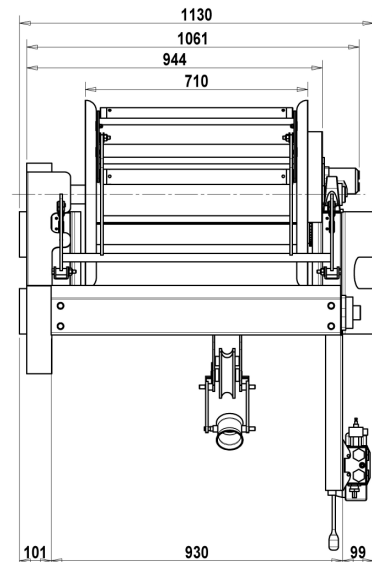
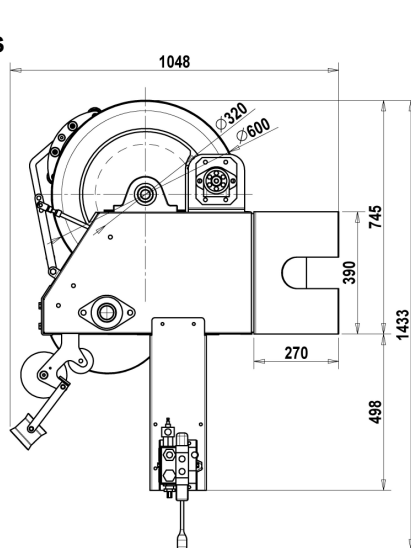
The following table shows the available models of fixed hose reels and their respective identification code. An overall windable hose length is identified for every version (according to the diameter).

AVAILABLE VERSIONS				
Model	Code	¾" hose (OD=31mm)	1" hose (OD=39mm)	1" ¼ hose (OD=47mm)
¾" stainless steel small fix. hose reel with aut. hose guide	13072 121 00	110 mt		
¾" stainless steel fix. hose reel with aut. hose guide	13072 039 00	280 mt		
1" stainless steel fix. hose reel with aut. hose guide	13072 041 00		180 mt	
1 ¼" stainless steel fix. hose reel with aut. hose guide	13072 093 00			120 mt
¾" iron fixed hose reel with aut. hose guide	13072 040 00	280 mt		
1" iron fixed hose reel with aut. hose guide	13072 042 00		180 mt	
1" ¼ iron fixed hose reel with aut. hose guide	13072 094 00			120 mt

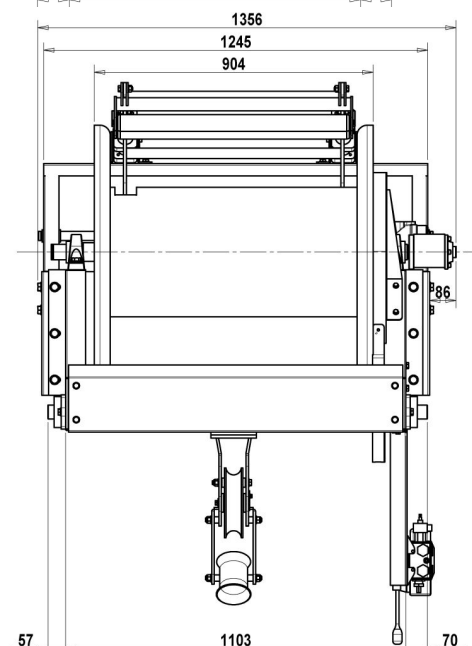
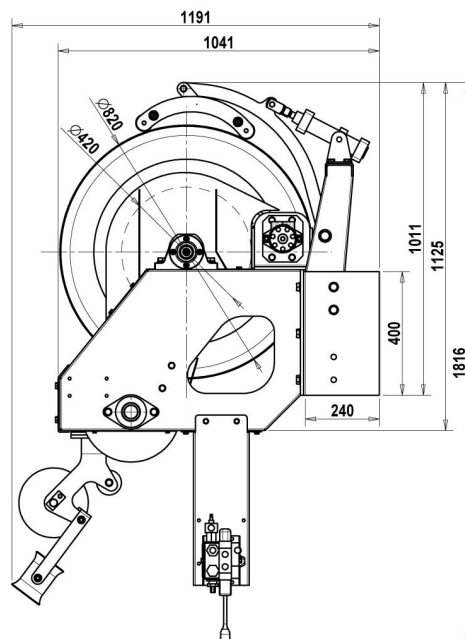
Note: the aforementioned fixed hose reels are without the wound hose.

Fixed hose reel dimensions

Small fixed hose reel
(D=600)



Large fixed hose reel
(D=820)



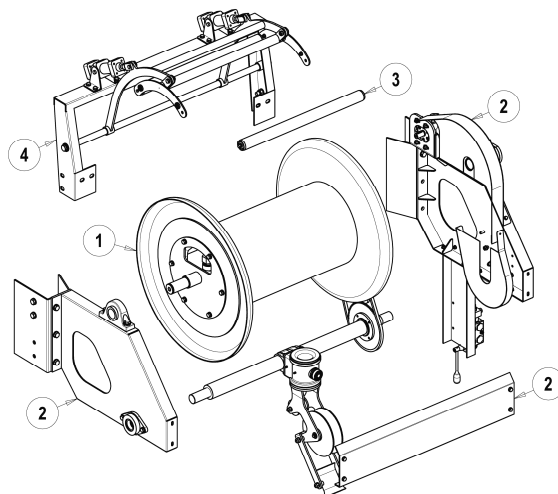
MATERIALS

1. The drum is made of S235JR mild steel for the iron version and of Aisi304 stainless steel for the stainless steel version.

2. The frame is made of S235JR mild steel for the iron version and of Aisi304 stainless steel for the stainless steel version.

3. The hose press rollers are made of plastic material.

4. The hose press system is made of S235JR mild steel for the iron version and of Aisi304 stainless steel for the stainless steel version.

**ACCESSORIES**

High pressure hoses, available in the following two versions, can be supplied upon request:

- **Hose metal braided**, code 40211 ZYB 03 (100m $\frac{3}{4}$ " for pressure up to 215bar, weight 760g/m) code 40211 00C 03 (120m 1" for pressure up to 210bar, weight 1230g/m) code 40211 00C 09 (120m 1" $\frac{1}{4}$ for pressure up to 210bar, weight 2690g/m);

- **Hose textile braided**, suitable for pressure up to 250bar, code 40211 041 10 (100m $\frac{3}{4}$ ", per 610g/m), code 40211 041 20 (180m 1", per 900g/m), code 40211 041 26 (120m 1" $\frac{1}{4}$, per 1120g/m).