

## ACCESSORIES AND COMPONENTS

High pressure main hose  
reel

**Jurop**

COMPANY WITH  
QUALITY SYSTEM  
CERTIFIED BY DNV GL  
= ISO 9001 =

COMPANY WITH  
ENVIRONMENTAL SYSTEM  
CERTIFIED BY DNV GL  
= ISO 14001 =

COMPANY WITH  
QUALITY SYSTEM  
CERTIFIED BY DNV GL  
= UNI EN ISO 3834-2 =

**TECHNICAL DATA**

The swivelling hose reel consists of a steel frame onto which a D=1050 hydraulically rotating metal drum is installed. It has been designed to contain and transport hoses, specifically high pressure water hoses.

The swivelling hose reel is intended to be incorporated into machines for cleaning and unblocking sewers and drains using high pressure water. The swivelling hose reel is typically installed on the rear of machines equipped with a tank at the rear.

The metal drum to store the hose is installed on a steel frame (swivel), which rotates around the axis of its support. This way, hose winding and unwinding operations are made easier.

The presence of a rotating joint in correspondence of the high pressure water supply pipe on the hose winding drum allows supplying even during winding and unwinding operations.

The swivelling hose reel with D=1050 drum is available in the following versions:

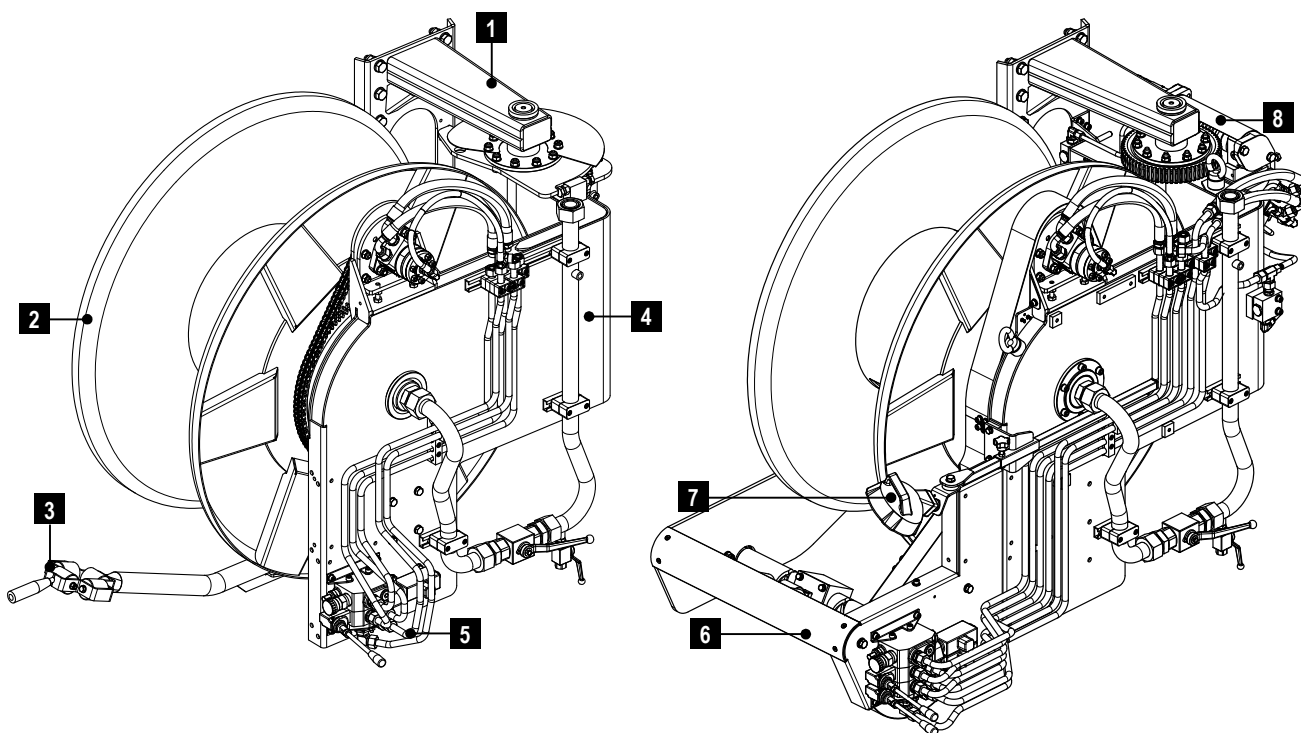
- **Manual swivelling hose-reel**, equipped with hydraulic winding, manual swivel and manual hose guide;
- **Hydraulically operated swivelling hose reel**, equipped with hydraulic winding, hydraulic swivel and manual hose guide;
- **Automatic swivelling hose reel**, equipped with hydraulic winding, hydraulic swivel and hydraulic hose guide.

The swivelling hose reels are available in **Right-hand** and **Left-hand** configuration and in the painted **S235JR mild steel** or **stainless steel** version.

The figure below shows a schematic view of the swivelling hose reel (in the manual and automatic versions), identifying its main components.

MANUAL SWIVELLING HOSE REEL

SWIVELLING HOSE REEL WITH AUTOMATIC HOSE GUIDE



LEGEND	
1	Swivelling hose reel support
2	Hose drum
3	Manual hose guide
4	Swivel structure
5	Distributor
6	Automatic hose guide
7	Work light
8	Hydraulic swivelling unit

All swivelling hose reels are equipped with OD=1050 (ID=420) drum, which can contain the following amount of hoses:

- 250 m of ¾" hoses (OD=27.7mm);
- 160 m of 1" hoses (OD=35.6mm);
- 100 m of 1" ¼ hoses (OD=47mm).

The table below shows the main operating parameters concerning high pressure water supply, hydraulic pressure and flow rate, hydraulic motor rotation speed and weight.

## OPERATING PARAMETERS

Parameter	Manual swivelling hose reel	Hydraulically operated swivelling hose reel	Automatic swivelling hose reel
MAX WATER PRESSURE	200 bar	200 bar	200 bar
MAX INLET HYDRAULIC PRESSURE	165 bar	165 bar	165 bar
MAX RETURN HYDRAULIC PRESSURE	30 bar	30 bar	30 bar
MAX HYDRAULIC FLOW RATE	30 l/min	30 l/min	30 l/min
MOTOR REVS	0 - 300 revs/min	0 - 300 revs/min	0 - 300 revs/min
WEIGHT	330 Kg	350 Kg	420 Kg

**Note:** the data above concerning weight refer to the swivelling hose reel without the wound hose.

## Available versions

The various versions of the swivelling hose reels are distinguished by the following parameters:

- Type of manufacturing material, such as iron (S235JR carbon steel) and Stainless steel;
- Orientation (position of the swivel support) in the Right and Left configurations;
- Swivelling mode, in the Manual or Hydraulic versions;
- Type of hose guide in the Manual or Automatic version.

The following table shows the available models of swivelling hose reels and their respective identification code.

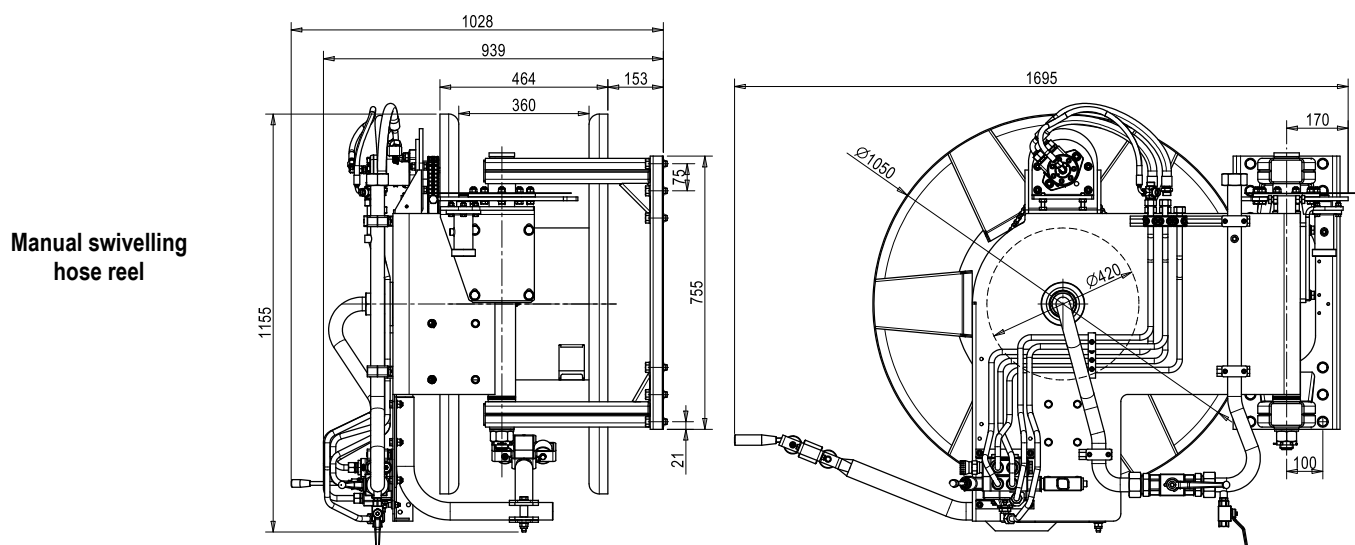
## AVAILABLE VERSIONS

Model	Code	Material	Orientation	Swivel	Hose guide
Iron R-H manual swivelling hose reel	13072 125 00	Iron	R-H	Manual	Manual
Iron L-H manual swivelling hose reel	13072 008 00	Iron	L-H	Manual	Manual
Iron R-H hydraulically oper. swivelling hose reel	13072 073 00	Iron	R-H	Hydraulic	Manual
Iron L-H hydraulically oper. swivelling hose reel	13072 074 00	Iron	L-H	Hydraulic	Manual
Stainless steel R-H hydr. oper. swiv. hose reel	13072 075 00	Stainless steel	R-H	Hydraulic	Manual
Stainless steel L-H hydr. oper. swiv. hose reel	13072 076 00	Stainless steel	L-H	Hydraulic	Manual
Iron R-H automatic swivelling hose reel	13072 081 00	Iron	R-H	Hydraulic	Automatic *
Iron L-H automatic swivelling hose reel	13072 082 00	Iron	L-H	Hydraulic	Automatic *
Stainless steel R-H aut. swivelling hose reel	13072 083 00	Stainless steel	R-H	Hydraulic	Automatic *
Stainless steel L-H aut. swivelling hose reel	13072 084 00	Stainless steel	L-H	Hydraulic	Automatic *

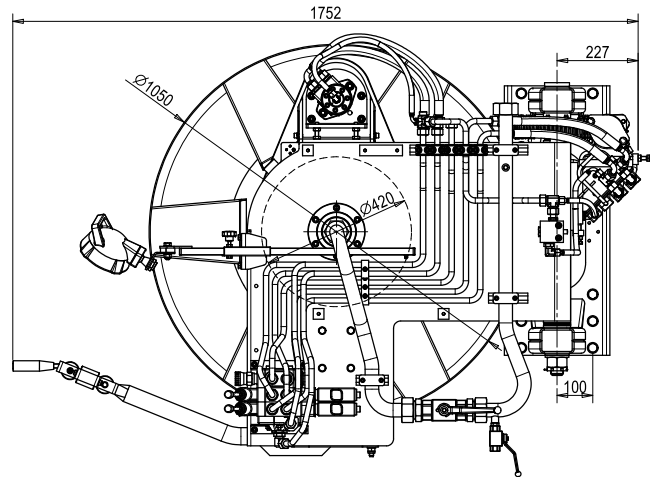
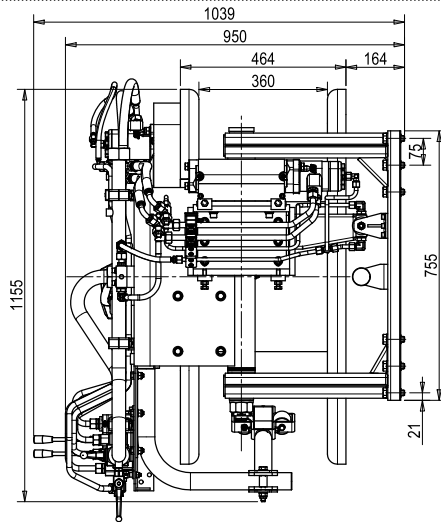
**Note:** the swivelling hose reels above do not include the hydraulic distributor and the swivel joint, **which must be ordered separately.**

\* The automatic hose guide system is synchronised for the outer diameters shown at page 2. Other diameters must be specified in the order.

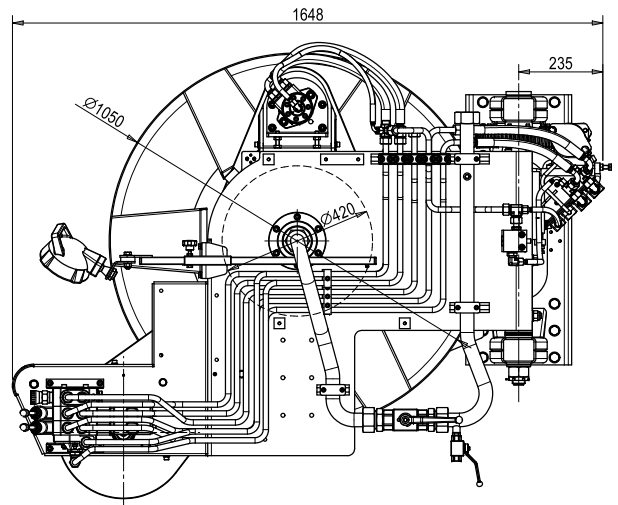
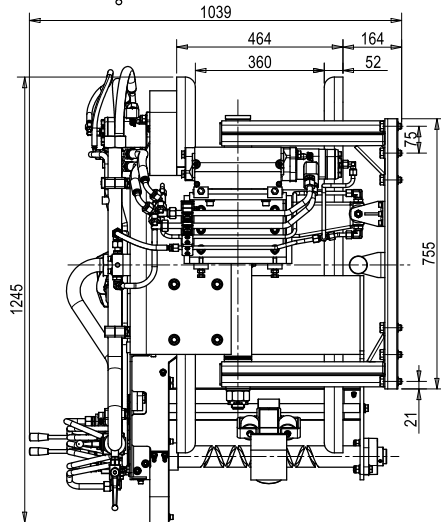
## Dimensions of the swivelling hose reel



**Hydraulically operated swivelling hose reel**

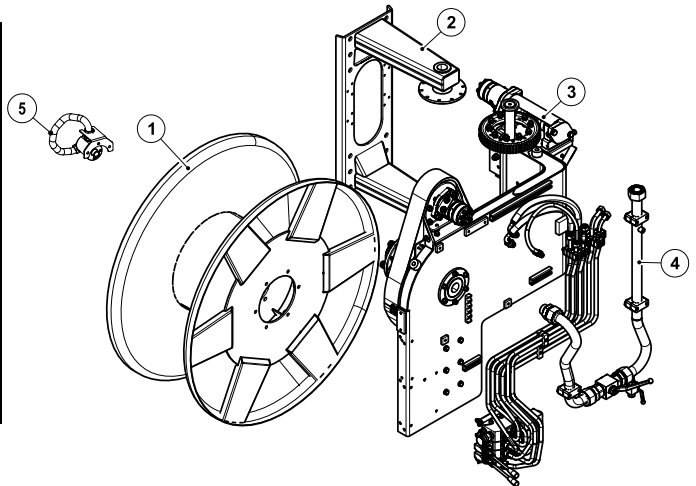


**Automatic swivelling hose reel**



**MATERIALS**

1. The drum is made of S235JR carbon steel for the iron version and of Aisi304L stainless steel for the stainless steel version.
2. The support is made of S235JR carbon steel for the iron version and of Aisi304L stainless steel for the stainless steel version.
3. The swivel is made of S235JR carbon steel for the iron version and of Aisi304L stainless steel for the stainless steel version.
4. The high pressure water ducts are made of ST37.4 steel.
5. The swivel joint is made of cast iron and steel C40.



**ACCESSORIES**

The codes of the automatic swivelling hose reel shown in Para 2.1 refer to the hose reel without swivel joint and distributor unit. These components must be selected separately according to the type of piping installed ( 3/4", 1" and 1" 1/4 ) and the option to control the hose reel electrically (through a control box or a remote control). Accessories available:

- **Swivelling hose reel support**, for installation of the bottom tank;
- **Swivel joint kit**, available  $\varnothing$  3/4",  $\varnothing$  1" and  $\varnothing$  1" 1/4;
- **Hydraulic distributor kit**, manual or with solenoid valve;
- **ADR plate kit**;
- **Kit crown and chain for automatic hose guide** (for Automatic swivelling hose reel).

Jurop SpA reserves the right to make changes without notice - All components are available upon request.