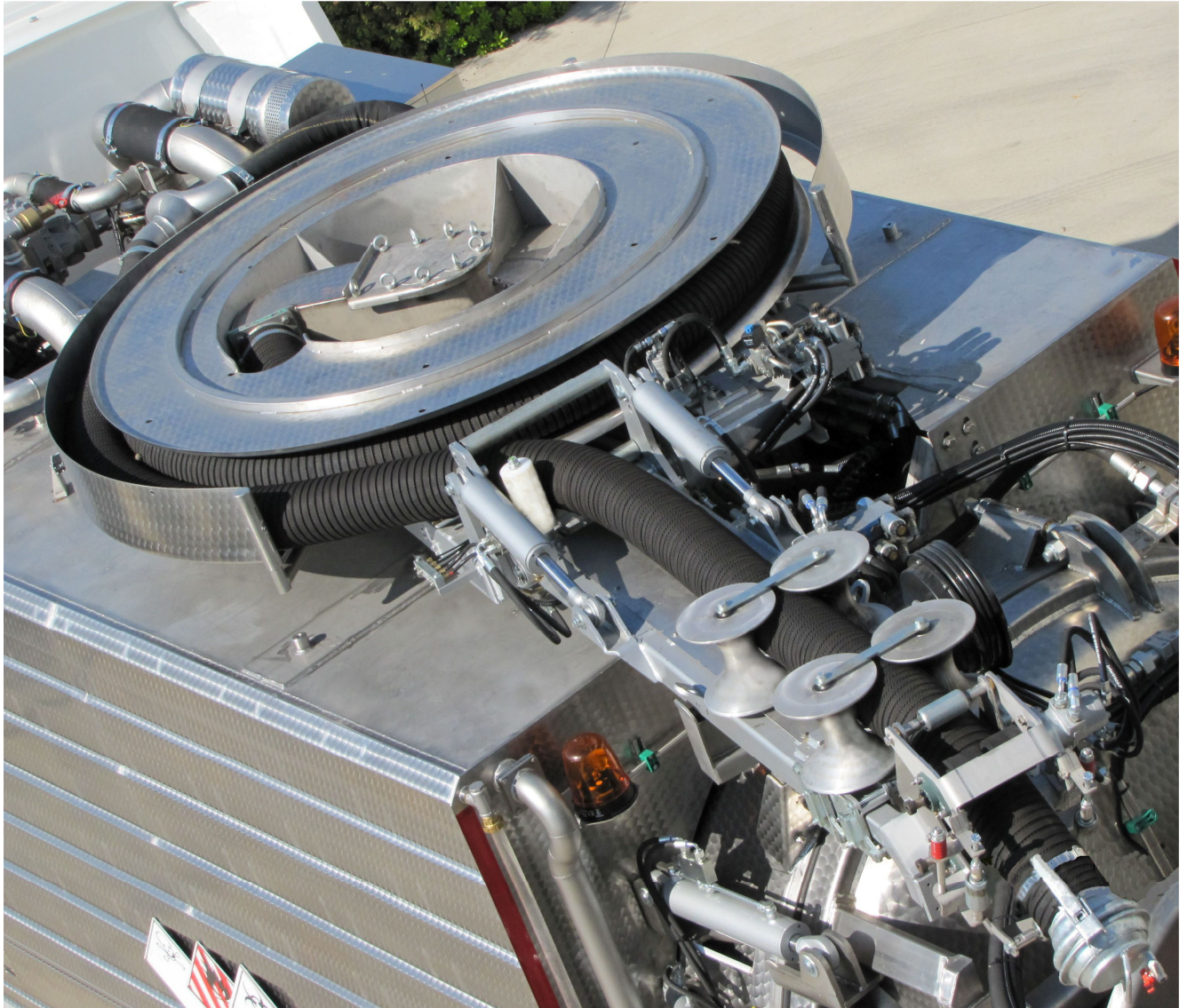


EN

MOBILE ARM SUCTION HOSE REEL



ACCESSORIES AND COMPONENTS

Suction hose reel

Jurop

COMPANY WITH
QUALITY SYSTEM
CERTIFIED BY DNV GL
= ISO 9001 =

TECHNICAL DATA

The mobile arm suction hose reel is an accessory designed and sized to be incorporated into machines equipped with tanks to suction sludge (or similar fluids) from road gullies. The suction is created by vacuum inside the tank (e.g. drainage vehicles).

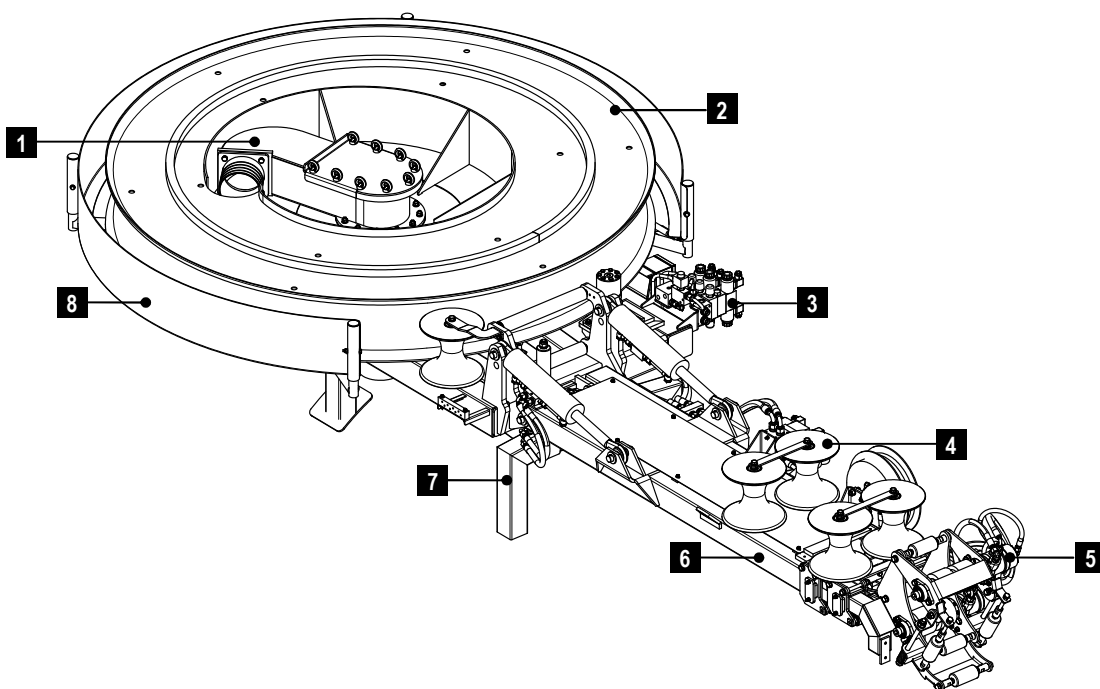
The mobile arm suction hose reel allows simplifying the operator's work by nearing the hose to the workplace.

The mobile arm suction hose reel is designed to be installed on the upper part of the tank. It consists of a D=1960mm metal drum, which stores the suction hose and is equipped with a mobile telescopic arm. The entire assembly is designed to rotate (within a maximum limit of 300°) around its rotation axis. The telescopic arm has a maximum extension of 2,700mm.

The **mobile arm suction hose reel DN150** cod. 14072 GUR B0, is made of stainless steel and is designed to contain up to **18m DN150** suction hose (outer diameter 173mm).

Upon request, it can be designed to contain up to **23m** of **DN125** rubber hose (outer diameter 144mm).

The figure below shows a schematic view of the mobile arm suction hose reel, identifying its main components.



LEGEND

1	Suction hose manifold	5	Hose guide system
2	Metal drum	6	Mobile telescopic arm
3	Solenoid valve unit	7	Support frame
4	Hose guide rollers	8	Hose containment strap

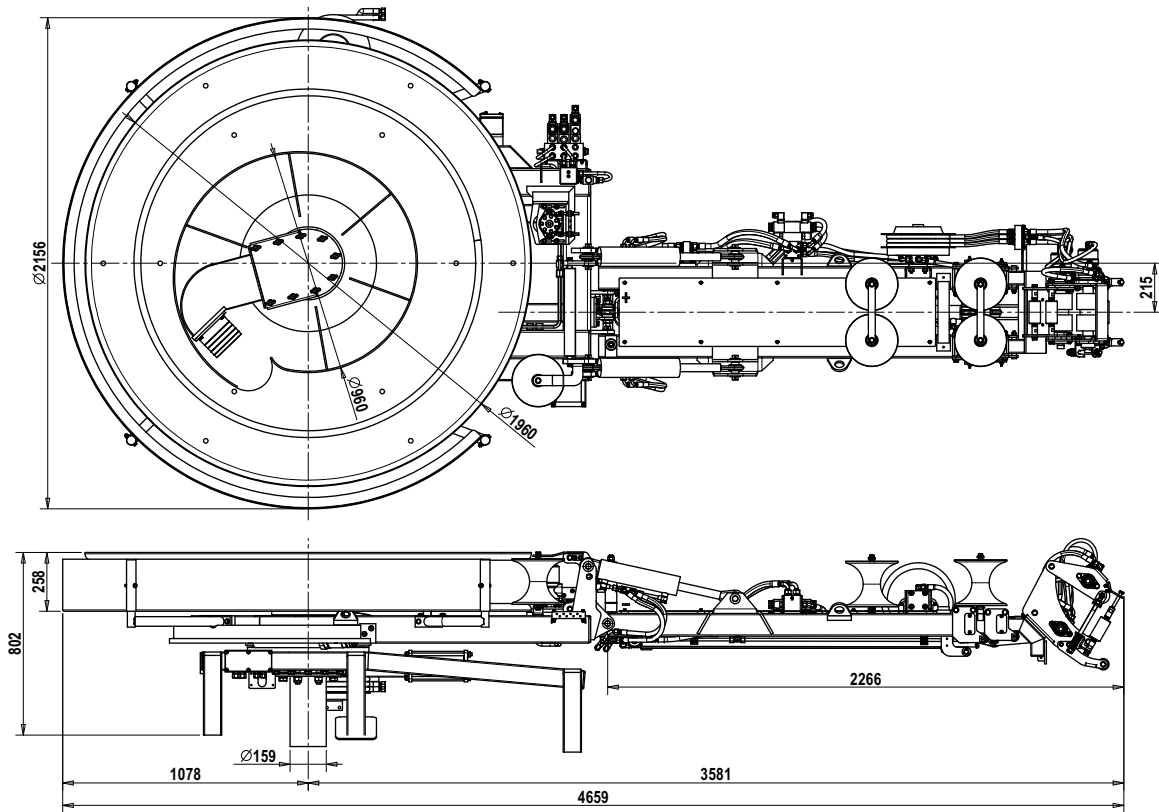
The following table shows the main operating parameters concerning hydraulic pressure and flow rate, hydraulic motor rotation speed, supply voltage and weight.

OPERATING PARAMETERS

Parameter	Mobile arm suction hose reel
MAX INLET HYDRAULIC PRESSURE	150 bar
MAX HYDRAULIC FLOW RATE	17 - 25 l/min
MOTOR REVS	0 - 300 revs/min
PNEUMATIC PRESSURE	3.5 – 10 Kg/cm ²
VOLTAGE	24 V (single reel power consumption: 1.5A)
WEIGHT	1410 Kg

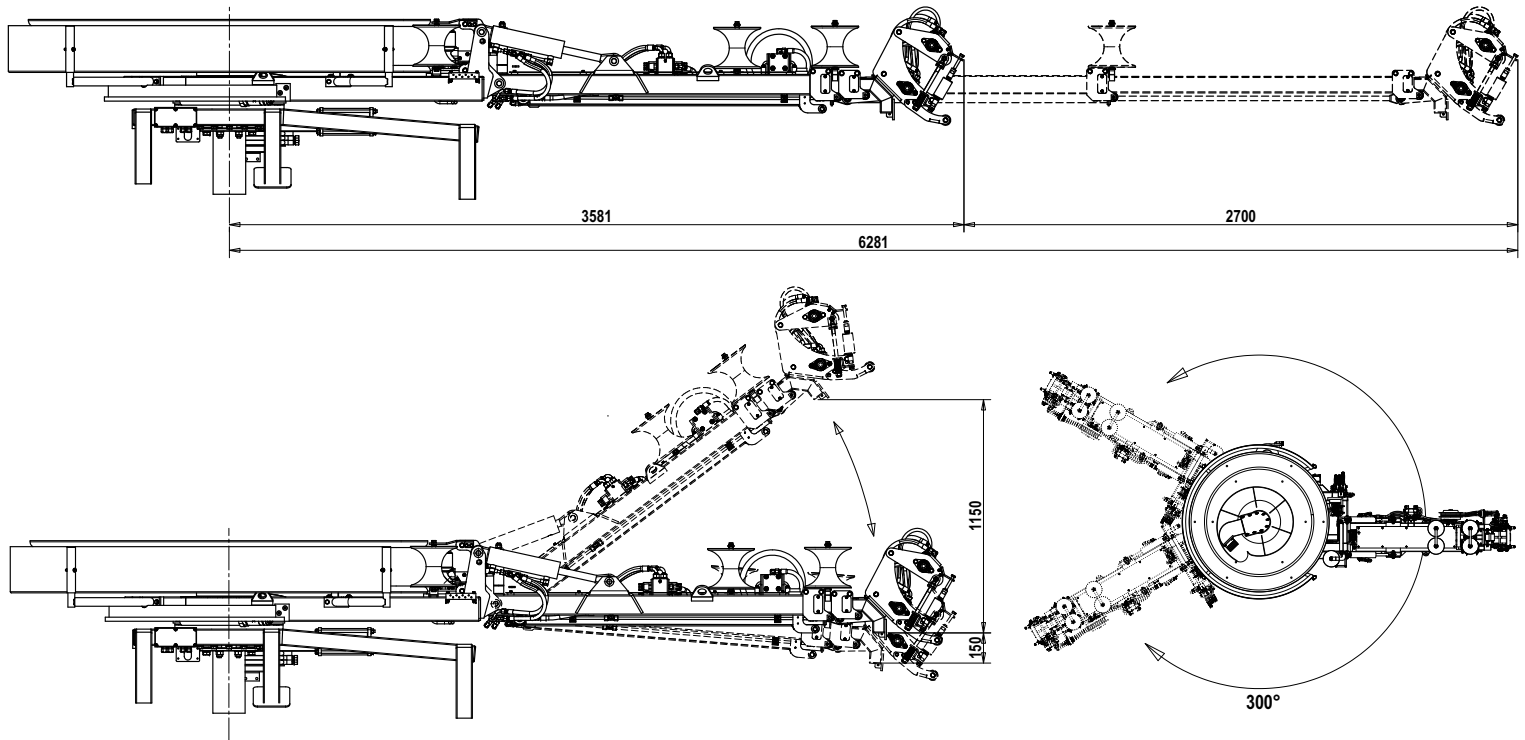
Note: the data above concerning weight refer to the mobile arm suction hose reel without the wound hose.

Mobile arm suction hose reel dimensions



Mobile arm suction hose reel functional characteristics

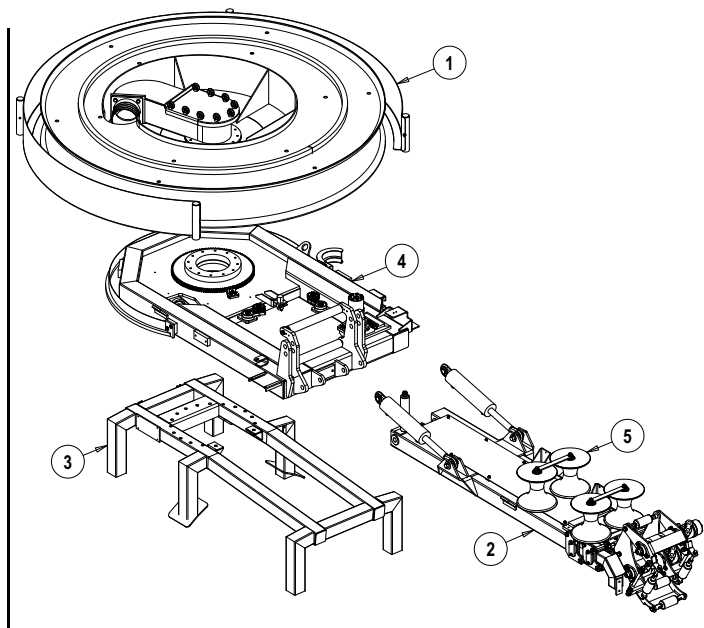
The mobile arm suction hose reel has a telescopic arm extension up to 2,700mm and a maximum rotation of 300°.



Note: the vertical movement of the mobile arm can be limited by applying bushes inside the hydraulic cylinders (e.g., preventing the arm to lower below horizontal).

MATERIALS

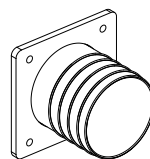
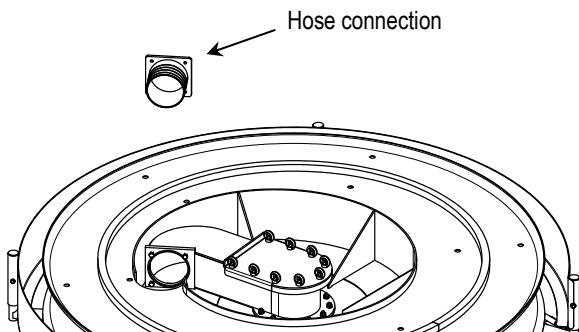
- 1. The drum is made of Aisi304 stainless steel.
- 2. The telescopic arm is made of mild steel.
- 3. The base is made of Aisi304 stainless steel.
- 4. The hose reel frame is made of mild steel.
- 5. The hose guide rollers are made of aluminium.



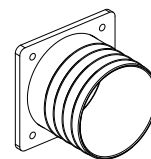
ACCESSORIES

Upon request, the upper mobile arm suction hose reel can be equipped with two types of hose connections:

- **DN150** flanged hose connection manifold code 15630 HI8 B0;
- **DN125** flanged hose connection manifold code 15630 MI6 B0.



DN125 hose connection
code 15630 MI6 B0



DN150 hose connection
code 15630 HI8 B0

Jurop SpA reserves the right to make changes without notice - All components are available upon request.