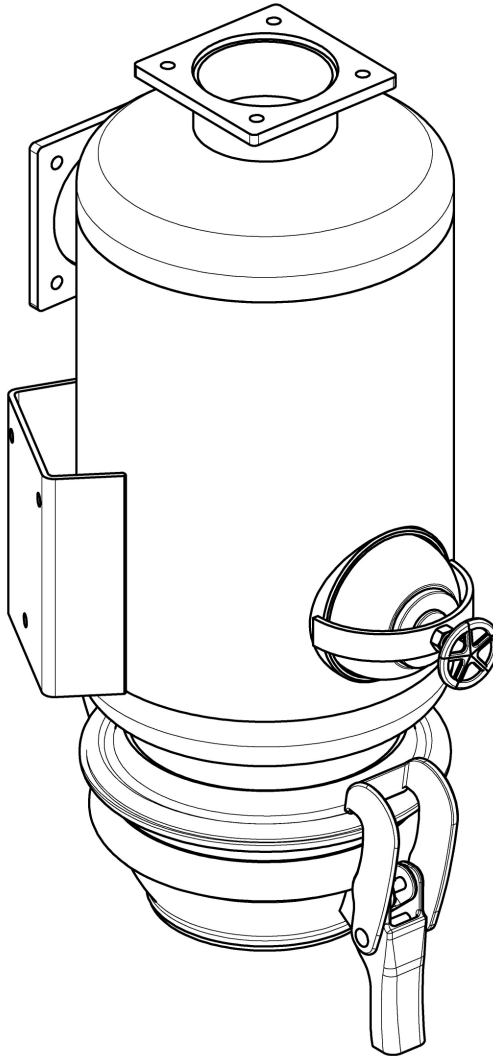


ORIGINAL INSTRUCTIONS



TECHNICAL DATA SHEET

CODE 18440 007 00



1. General warnings

This technical data sheet gives all the technical information concerning the vertical secondary shutoff code 18440 007 00 as well as the main installation and maintenance instructions.

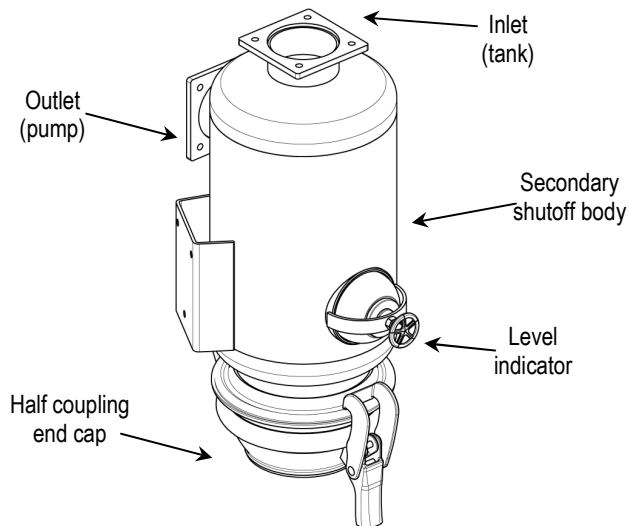
Complying with the instructions contained in this technical data sheet is crucial for the recognition of warranty against defective parts. Upon receiving the goods, ensure that they are intact and have not been accidentally damaged during transport. In the event parts of the accessory must be replaced, **use only genuine spare parts**.

2. Technical data

The vertical secondary shutoff is designed to be installed in correspondence of the vacuum line of a decompressor designed for the creation of vacuum inside a tank. The vertical secondary shutoff prevents foreign bodies (liquids or solids) from entering inside the decompressor by blocking the intake line with a metal floating ball. The following figure shows a schematic diagram of the vertical secondary shutoff.

The vertical secondary shutoff is made of **hot-dipped galvanized mild steel S355J2W**. The internal floating ball is made of stainless steel 316.

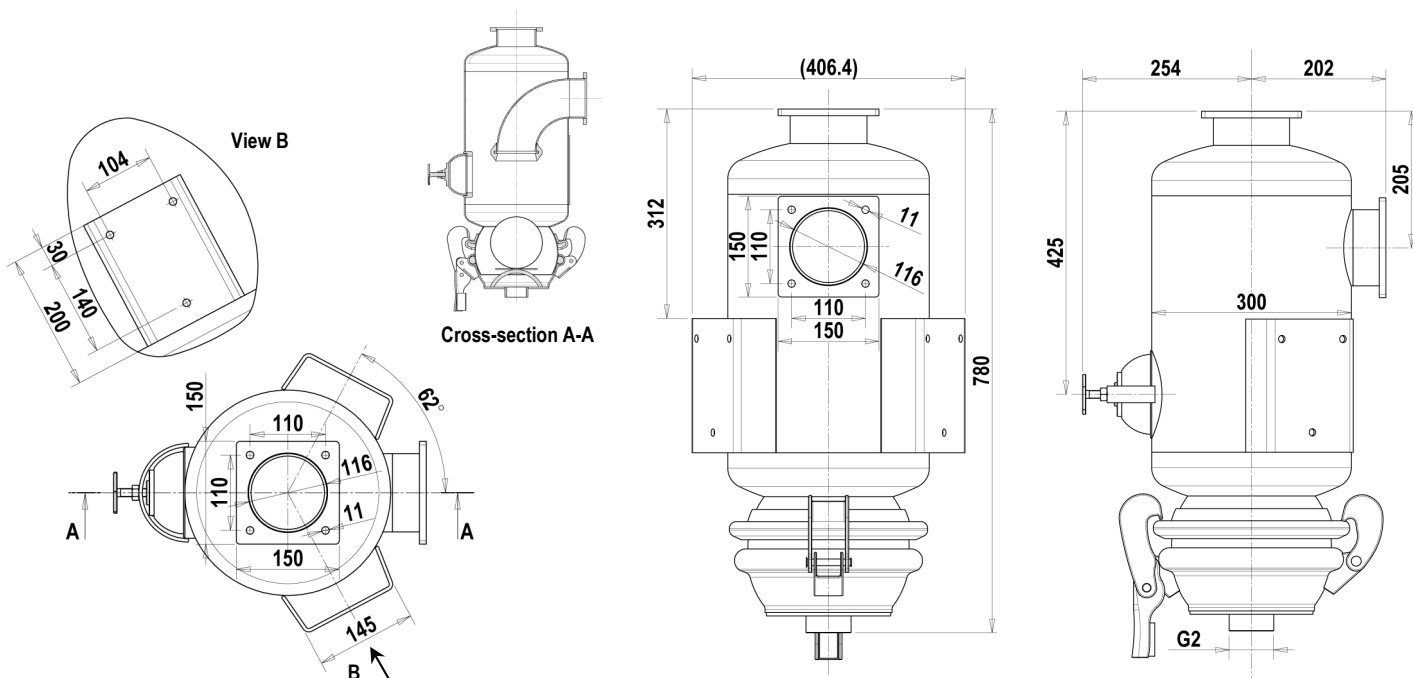
The following table shows the main operating parameters concerning maximum flow rate, maximum operating pressure (relative) and weight of the vertical secondary shutoff.



Operating parameters

Parameter	Vertical secondary shutoff (code 18440 007 00)
MAXIMUM FLOW RATE	20000 l/min
MAXIMUM OPERATING PRESSURE (RELATIVE)	-1 / +0.5 bar
WEIGHT	35.5 Kg

The following figures show the overall dimensions of the vertical secondary shutoff.



3. Installation

The vertical secondary shutoff must be installed in correspondence of the intake line of the decompressor.

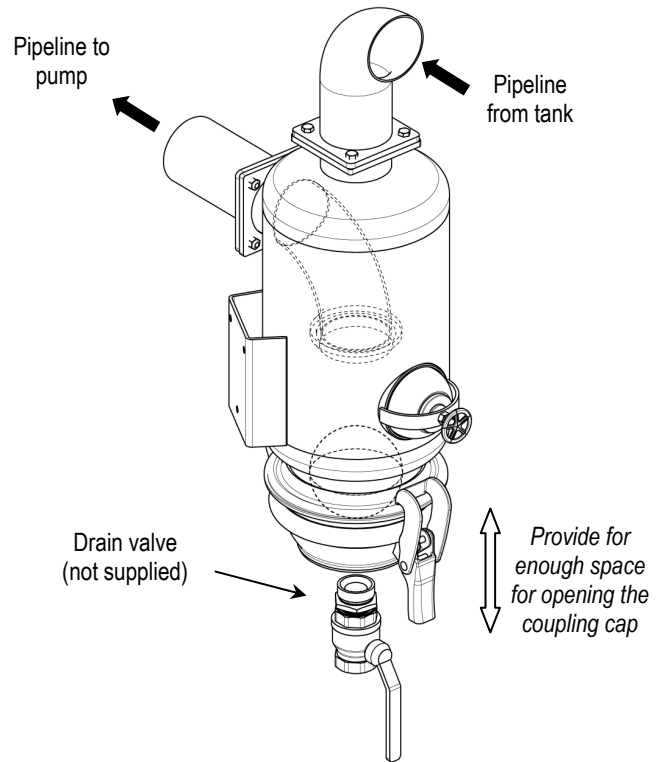
The following figure shows a schematic diagram of a possible installation, highlighting the secondary shutoff inlet and outlet.

During ordinary use, the secondary shutoff must be cleaned by opening the half-coupling end cap. This is why it is important, during installation, to leave enough space to remove the coupling end cap.

To install the secondary shutoff correctly, it is important to assemble a valve (supplied upon request) in correspondence of the lower end, to allow discharging liquids accumulated inside of the secondary shutoff. We recommend installing this valve as close as possible to the secondary shutoff (without connecting sections of piping), to simplify cleaning operations. The assembled valve must ensure perfect tightness.

The level indicator must be easily accessible to allow checking the filling connection of the secondary shutoff.

During the winter season, the liquid contained in the secondary shutoff must be drained during downtime.




4. Maintenance

Under ordinary use conditions, we recommend discharging the secondary shutoff on a weekly basis. In the event of heavy duty conditions (e.g., intake of high and particularly volatile substances), drain every time the level indicator warns that the secondary shutoff is full.

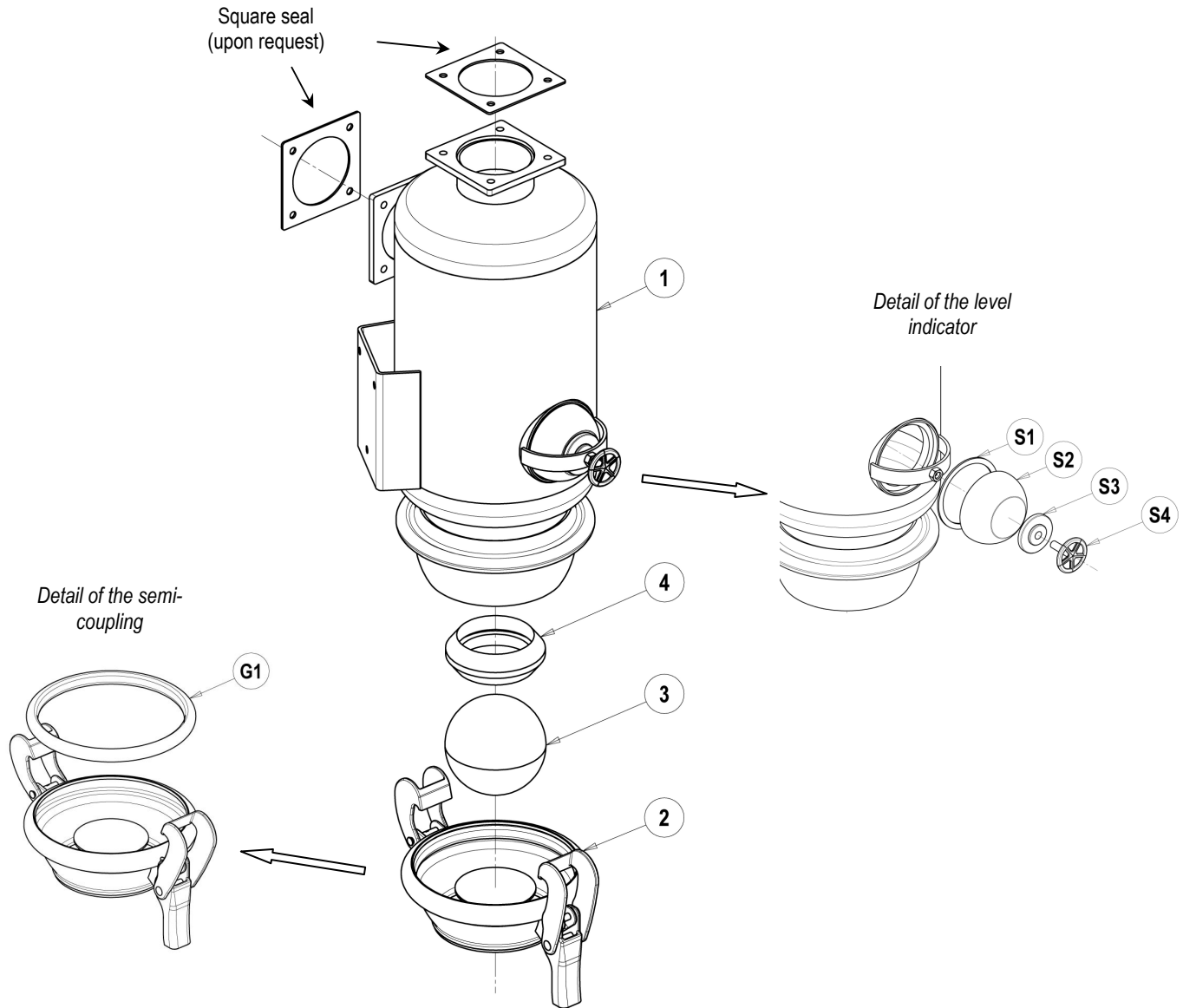
For routine maintenance proceed as follows:

- Drain any liquids contained in the secondary shutoff through the valve assembled on the lower end;
- Open the lower half-coupling (pos. 2) to drain any residue still inside;

 **Recover the drained material and dispose of it in compliance with the standards in force.**

- Clean all components;
- Reinstall the previously removed components.

After long periods of downtime the seal of the half-coupling end cap can be worn and, therefore, can lose its tightness. Replace the seal of the half-coupling (pos. G1).

VERTICAL SECONDARY SHUTOFF

Vertical secondary shutoff – code 18440 007 00

Pos.	Code	Description	Qty	Pos.	Code	Description	Qty
1	1545000400	GALV. VERTICAL SECONDARY S. D.300	1	S1	1680601900	LEVEL INDICATOR SEAL	1
2	1576000100	VERTICAL SECONDARY S. SEMI-COUPLING	1	S2	4022105302	LEVEL INDICATOR CUP	1
3	1592000200	STAINLESS STEEL 316 FLOATING B. D.150	1	S3	40263ZLB00	LEVEL INDICATOR WASHER	1
4	1680601800	DOUBLE TAPER SEAL D.115	1	S4	4025500600	LEVEL INDICATOR HANDWHEEL M12	1
				G1	4022201005	COUPLING SEAL D.200.	1

Square seals to connect the pipes to the tank and to the decompressor are supplied upon request. Square rubber seal code 16806 135 00.